

TPK-98ETT

90 IPERLOTUS TOUCH

ELECTRIC MULTIFUNCTION SOLID TOP - TOUCH

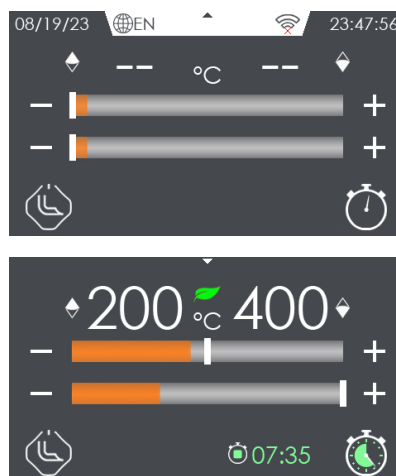


View 3D

Compound Solid top for direct and indirect cooking on open unit, Touch Screen 4,3", temperature 400°C with PID control. "Energy Saving, WiFi and CLOUD". Functions: 2 timer. Plate cm. 71x65 (included 1 Head end filler strip mod.TPA-9)



Construction - Fabricated using CrNi 18/10 AISI 304 grade Stainless Steel Scotch-Brite Satin polish Finish, incorporating 2mm thick worktop, rounded edges, chromed details and rear splash back. Knobs with waterproof grades IPX5 and 4.3" capacitive touch screen. Model - Professional electric solid top on open cabinet. Cooktop with large plate divided into four cooking zones in BIMETAL AISI-316/FE thickness 18 mm, perfect for direct or indirect cooking. Single display for 2 cooking zones with thermostatic regulation up to 400 °C with PID algorithm for precise control of the set tempering, 2 timers maximum 99 minutes. Equipped with security thermostat. Standard WiFi and CLOUD, designed for connection to an external "ENERGY SAVING" system. Maintenance - All serviceable parts are accessible by the easy removal of front dashboard. Fittings - Appliance is supplied with adjustable feet. Doors not included.



ITALIAN CULINARY ART

The pictures are purely representative. The manufacturer reserves the right to modify the technical data and models without previous notice.

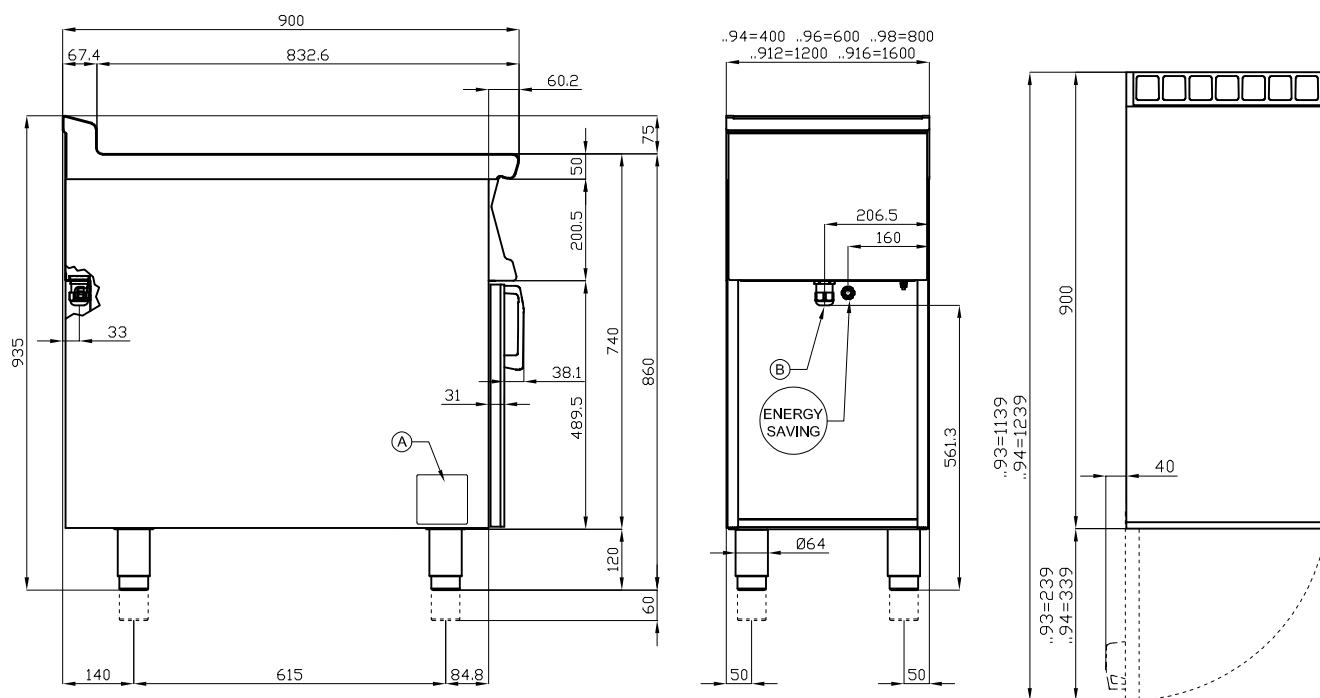
TPK-98ETT

90 IPERLOTUS TOUCH

ELECTRIC MULTIFUNCTION SOLID TOP - TOUCH

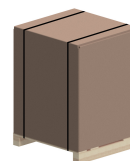


View 3D



| | | | |
|---|------------|---|-----------------------|
| A | Data plate | B | Electrical connection |
|---|------------|---|-----------------------|

MODEL: TPK-98ETT
 DIMENSIONS: cm. 80x 90x 90h
 ELECTRIC POWER: 13,6 kW
 VOLTAGE: 400V~3N
 FREQUENCY: 50/60 Hz



kg: 114
 m³: 0.894
 mm: 830x970x1110

BUY LOTUS BUY ITALY

The pictures are purely representative. The manufacturer reserves the right to modify the technical data and models without previous notice.



LOTUS S.P.A. Via Calmaor, 46
 31020 San Vendemiano(TV) - Italy
 Tel. + 39 0438 778020 / 778468
 Fax + 39 0438 778277
 www.lotuscookers.it - lotus@lotuscookers.it