

# TPID-88ET

## ELECTRIC FREELOTUS INDUCTION SOLID TOP 80

Three-phase induction Solid top - glass  
cm.75x77 (do not place on ovens or drawers)



Construction - Fabricated using CrNi 18/10 AISI 304 grade Stainless Steel Scotch-Brite Satin polish Finish, incorporating 2 mm thick worktop, chromed details. Model -Professional Three-phase induction Solid Top. Ceramic glass top with high output cooking areas, heats only the content of the pan with magnetic steel base. Four normal or digital controls offer accurate adjustment for delicate to high cooking temperatures. Fittings - Fixing system.

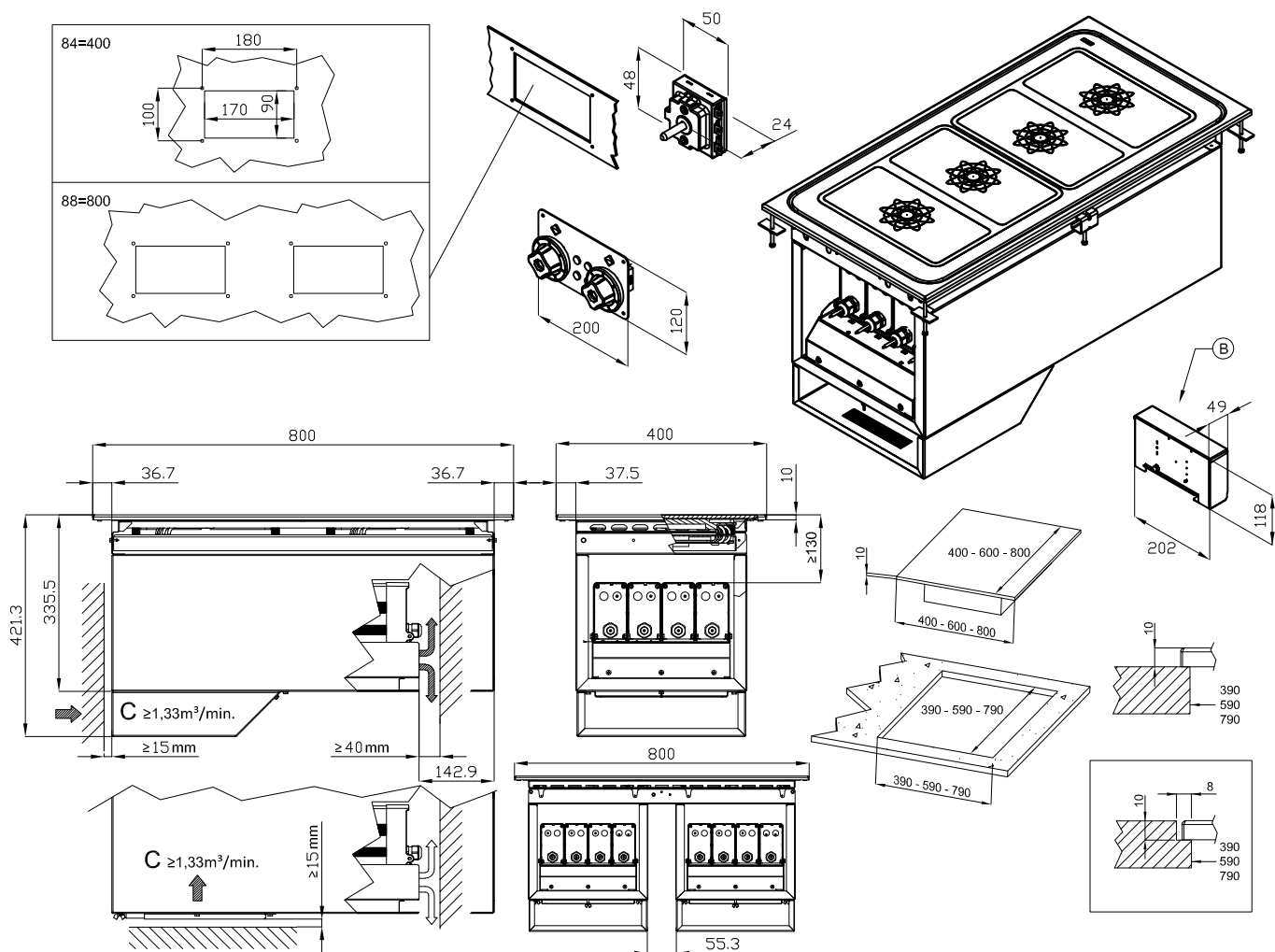


ITALIAN CULINARY ART

The pictures are purely representative. The manufacturer reserves the right to modify the technical data and models without previous notice.

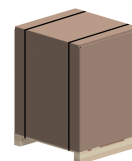
# TPID-88ET

ELECTRIC FREELOTUS  
INDUCTION SOLID TOP 80



A	Data plate	B	Electrical connection
---	------------	---	-----------------------

MODEL: TPID-88ET  
 DIMENSIONS: cm. 80x 80x 42h  
 ELECTRIC POWER: 28 kW  
 VOLTAGE: 400V~3  
 FREQUENCY: 50/60 Hz



kg: 50  
 m<sup>3</sup>: 0.32  
 mm: 1080x630x470

BUY LOTUS BUY ITALY

The pictures are purely representative. The manufacturer reserves the right to modify the technical data and models without previous notice.



LOTUS S.P.A. Via Calmaor, 46  
 31020 San Vendemiano (TV) - Italy  
 Tel. + 39 0438 778020 / 778468  
 Fax + 39 0438 778277  
 www.lotuscookers.it - lotus@lotuscookers.it