

TPI-98ETD

90

INDUCTION SOLID TOP

Three-phase induction Solid top - glass
cm.75x77 - digital controls (included 1 Head
end filler strip mod.TPA-9)



Construction - Fabricated using CrNi 18/10 AISI 304 grade Stainless Steel Scotch-Brite Satin polish Finish, incorporating 2mm thick worktop, rounded edges, chromed details and rear splash back. Knobs with waterproof grades IPX5. Model -Professional Three-phase induction Solid Top on cabinet. Ceramic glass top with high output cooking areas, heats only the content of the pan with magnetic steel base. Four normal or digital controls offer accurate adjustment for delicate to high cooking temperatures. Maintenance - All serviceable parts are accessible by the easy removal of front control panel. Fittings - Appliance is supplied with adjustable feet.



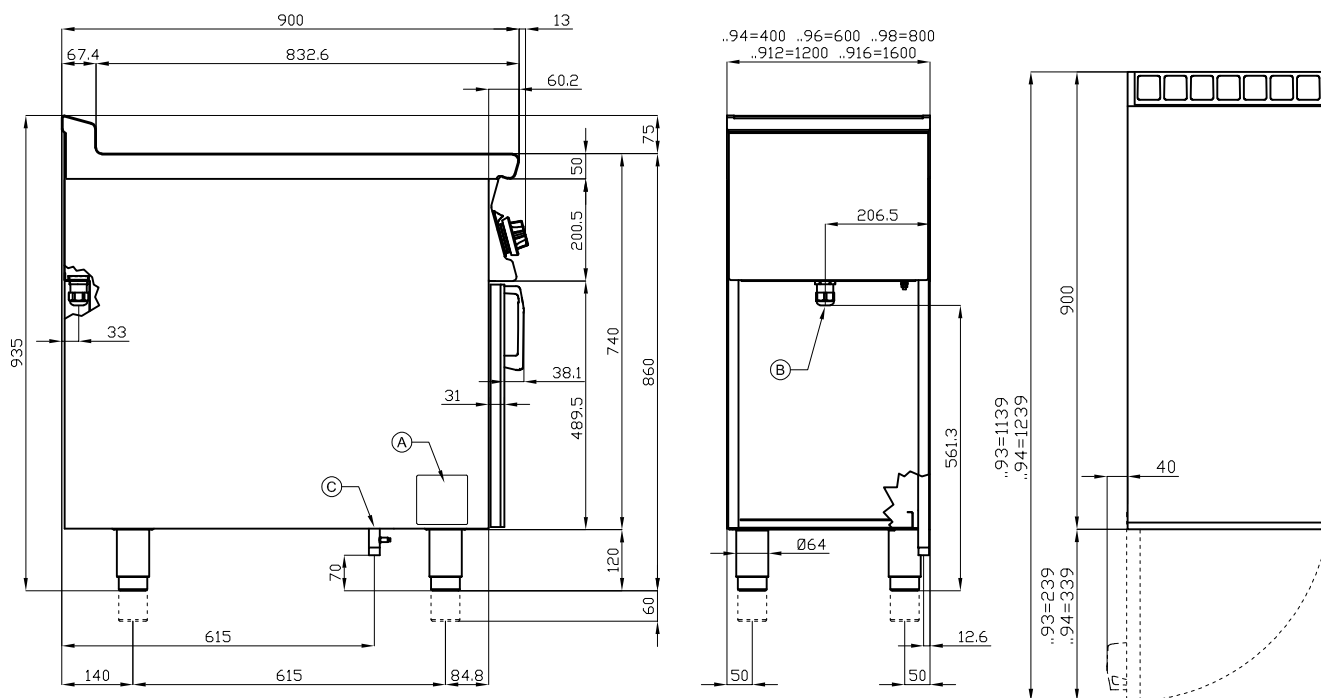
ITALIAN CULINARY ART

The pictures are purely representative. The manufacturer reserves the right to modify the technical data and models without previous notice.

TPI-98ETD

90

INDUCTION SOLID TOP



A	Data plate	B	Electrical connection
---	------------	---	-----------------------

MODEL: TPI-98ETD
DIMENSIONS: cm. 80x 90x 90h
ELECTRIC POWER: 28 kW
VOLTAGE: 400V~3
FREQUENCY: 50/60 Hz



kg: 95
m³: 0.894
mm: 830x970x1110

BUY LOTUS BUY ITALY

The pictures are purely representative. The manufacturer reserves the right to modify the technical data and models without previous notice.



LOTUS S.P.A. Via Calmaor, 46
 31020 San Vendemiano(TV) - Italy
 Tel. + 39 0438 778020 / 778468
 Fax + 39 0438 778277
 www.lotuscookers.it - lotus@lotuscookers.it