

# TPF4-912GV

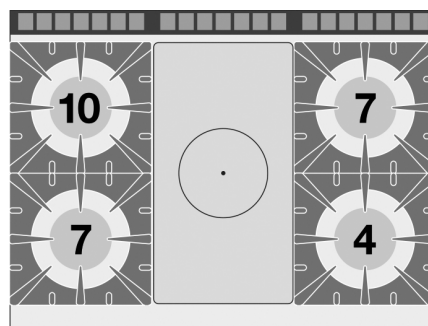
90

## GAS SOLID TOP WITH OVEN

Solid top + 4 burners Traditional gas-oven  
cm. 67x73x34h, temp: 150÷300°C, with 1  
grid cm.65x71 GN2/1 - Plate 39x73 cm -  
Neutral cabinet with door (included 1 Head  
end filler strip mod.TPC-9)



Construction - Fabricated using CrNi 18/10 AISI 304 grade Stainless Steel Scotch-Brite Satin polish Finish, incorporating 2mm thick worktop, rounded edges, chromed details and rear splash back. Knobs with waterproof grades IPX5. Model - Professional Gas Solid Top with Gas Oven, versions with or without 2 or 4 burners, with or without compartment. Piezoelectric ignition with pilot light, 15mm thick steel top for the best in heat conductivity including thermocouple safety valves. Gas oven has piezoelectric ignition, thermocouple safety valves. Burners with ignition by pilot light, taps with thermocouple safety valve. Modulating flame burners, cast iron grills or in stainless steel rods with removable liquid collectors. Maintenance - All serviceable parts are accessible by the easy removal of front control panel and removable collectors. Fittings - Appliance is supplied with both LPG and Natural Gas conversion jets and adjustable feet.



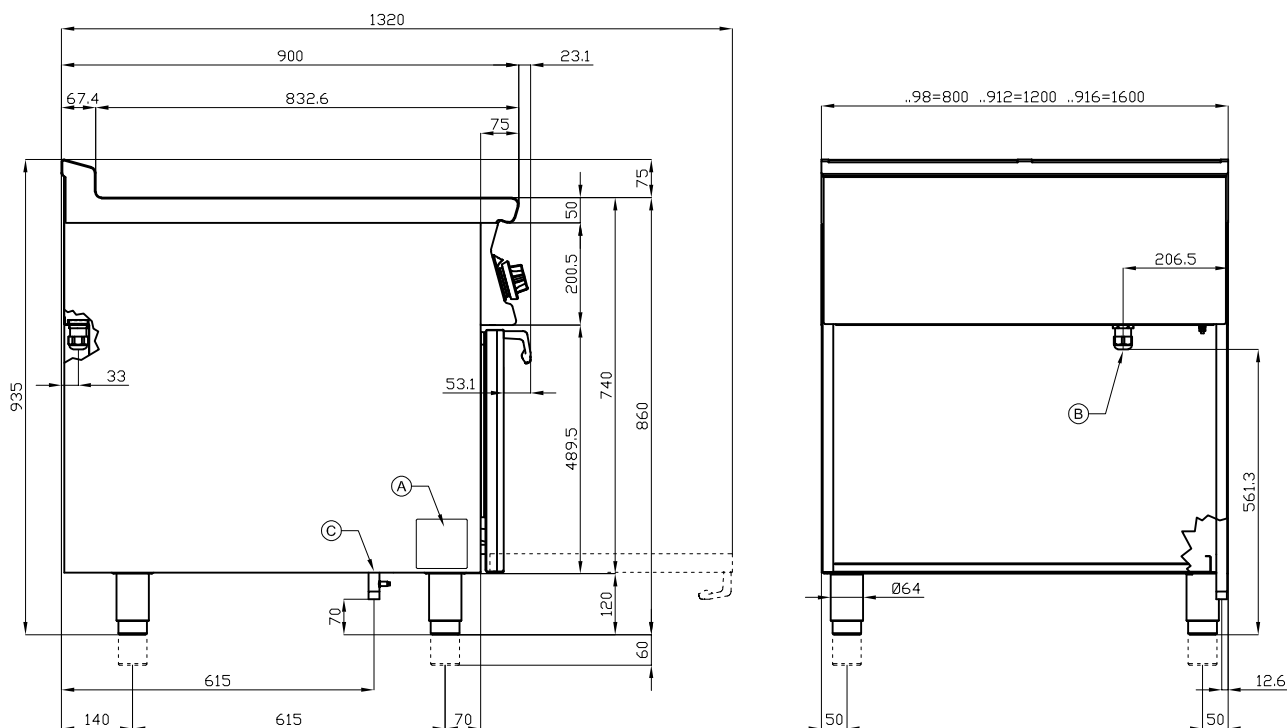
ITALIAN CULINARY ART

The pictures are purely representative. The manufacturer reserves the right to modify the technical data and models without previous notice.

# TPF4-912GV

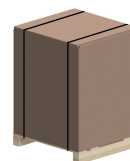
90

GAS SOLID TOP WITH OVEN



A	Data plate		C	Gas connection	ISO 7-1 3/4" M
---	------------	--	---	----------------	----------------

MODEL: TPF4-912GV  
 DIMENSIONS: cm. 120x 90x 90h  
 GAS POWER: 43,5 kW / 37.410 kcal/h  
 GAS TYPE: Natural Gas / LPG



kg: 249  
 m<sup>3</sup>: 1.324  
 mm: 1230x970x1110

BUY LOTUS BUY ITALY

The pictures are purely representative. The manufacturer reserves the right to modify the technical data and models without previous notice.



LOTUS S.P.A. Via Calmaor, 46  
 31020 San Vendemiano (TV) - Italy  
 Tel. + 39 0438 778020 / 778468  
 Fax + 39 0438 778277  
 www.lotuscookers.it - lotus@lotuscookers.it