

# TPD-99G

GAS FREELOTUS

GAS SOLID TOP 90

Solid top gas - Plate.79x73 cm. Electric ignition, flame presence indicator, floodable perimeter channel, drain with removable filter.

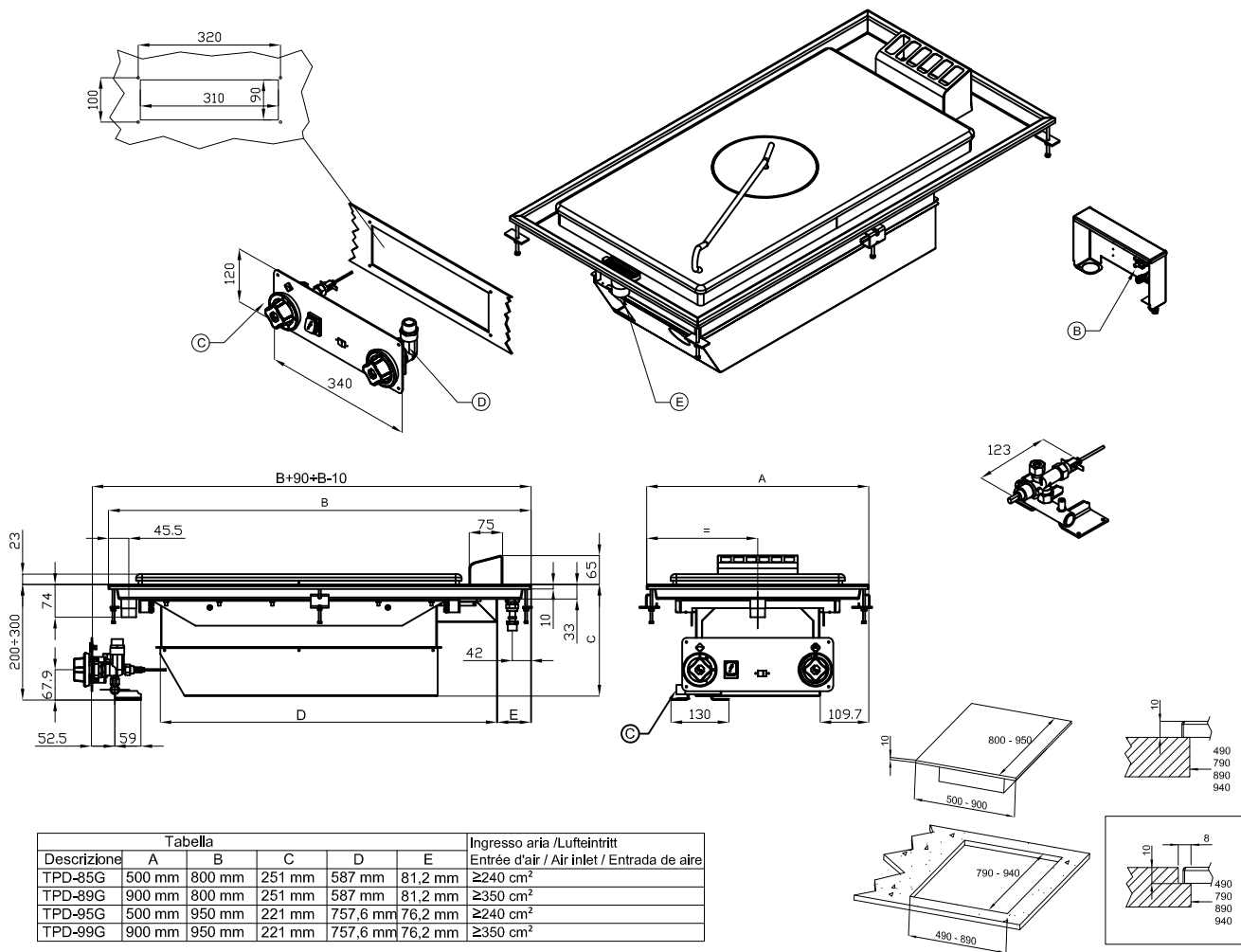


ITALIAN CULINARY ART

The pictures are purely representative. The manufacturer reserves the right to modify the technical data and models without previous notice.

# TPD-99G

GAS FREELOTUS  
GAS SOLID TOP 90



|   |                |                |   |                       |                |
|---|----------------|----------------|---|-----------------------|----------------|
| A | Data plate     |                | B | Electrical connection |                |
| C | Gas connection | ISO 7-1 1/2" M | D | Cold water connection | ISO 7-1 1/2" F |
| E | Water drainage | ISO 7-1 1" M   |   |                       |                |

MODEL: TPD-99G  
 DIMENSIONS: cm. 90x 95x 31h  
 GAS POWER: 12 kW / 10.320 kcal/h  
 GAS TYPE: Natural Gas / LPG  
 ELECTRIC POWER: 0,01 KW  
 VOLTAGE: 230V~  
 FREQUENCY: 50/60 Hz



kg: 135  
 m<sup>3</sup>: 0.644  
 mm: 1230x970x540

BUY LOTUS BUY ITALY

The pictures are purely representative. The manufacturer reserves the right to modify the technical data and models without previous notice.



LOTUS S.P.A. Via Calmaor, 46  
 31020 San Vendemiano (TV) - Italy  
 Tel. + 39 0438 778020 / 778468  
 Fax + 39 0438 778277  
 www.lotuscookers.it - lotus@lotuscookers.it