

# TPD-95G

GAS FREELOTUS

GAS SOLID TOP 90

Solid top gas - Plate.39x73 cm. Electric ignition, flame presence indicator, floodable perimeter channel, drain with removable filter.



ITALIAN CULINARY ART

The pictures are purely representative. The manufacturer reserves the right to modify the technical data and models without previous notice.

# TPD-95G

GAS FREELOTUS  
GAS SOLID TOP 90

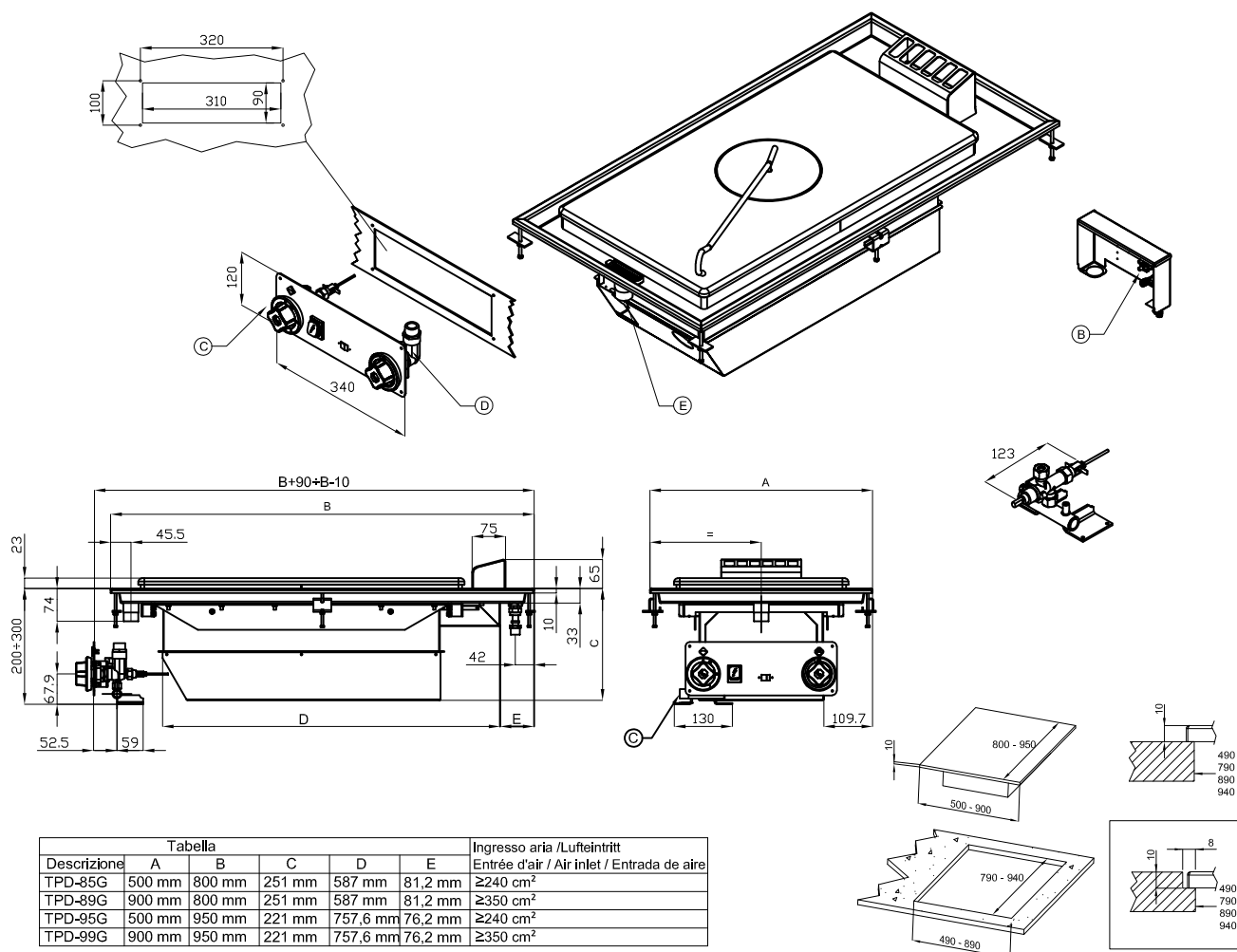


Tabella						
Descrizione	A	B	C	D	E	Ingresso aria /Luft Eintritt Entrée d'air / Air inlet / Entrada de aire
TPD-85G	500 mm	800 mm	251 mm	587 mm	81.2 mm	≥240 cm <sup>2</sup>
TPD-89G	900 mm	800 mm	251 mm	587 mm	81.2 mm	≥350 cm <sup>2</sup>
TPD-95G	500 mm	950 mm	221 mm	757,6 mm	76.2 mm	≥240 cm <sup>2</sup>
TPD-99G	900 mm	950 mm	221 mm	757,6 mm	76.2 mm	≥350 cm <sup>2</sup>

A	Data plate		B	Electrical connection	
C	Gas connection	ISO 7-1 1/2" M	D	Cold water connection	ISO 7-1 1/2" F
E	Water drainage	ISO 7-1 1" M			

MODEL: TPD-95G  
 DIMENSIONS: cm. 50x 95x 31h  
 GAS POWER: 7 kW / 6.020 kcal/h  
 GAS TYPE: Natural Gas / LPG  
 ELECTRIC POWER: 0,01 KW  
 VOLTAGE: 230V~  
 FREQUENCY: 50/60 Hz



kg: 62  
 m<sup>3</sup>: 0.33  
 mm: 630x970x540

BUY LOTUS BUY ITALY

The pictures are purely representative. The manufacturer reserves the right to modify the technical data and models without previous notice.



LOTUS S.P.A. Via Calmaor, 46  
 31020 San Vendemiano(TV) - Italy  
 Tel. + 39 0438 778020 / 778468  
 Fax + 39 0438 778277  
 www.lotuscookers.it - lotus@lotuscookers.it