

TPD-68ET

ELECTRIC FREELOTUS

ELECTRIC SOLID TOP 60

Solid top - Plate cm. 70x50- 4 zones



Construction - Fabricated using CrNi 18/10 AISI 304 grade Stainless Steel Scotch-Brite Satin polish Finish, incorporating 2 mm thick worktop, chromed details. Model - Professional Electric Solid Top. 20mm thick chrome-molibdeno top for the best in heat conductivity. Four position thermostatic control to 450degC. Fittings - Fixing system.



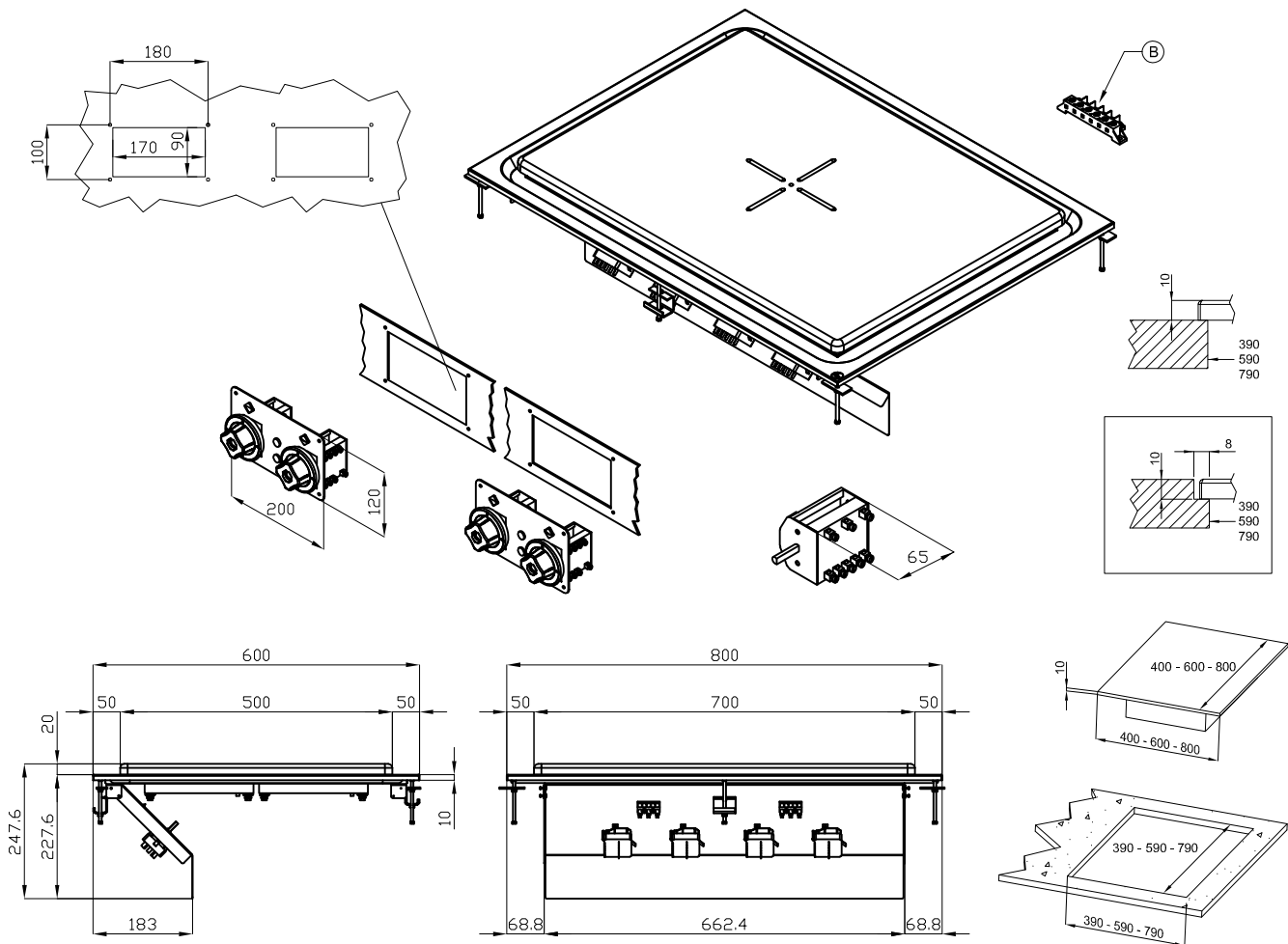
ITALIAN CULINARY ART

The pictures are purely representative. The manufacturer reserves the right to modify the technical data and models without previous notice.

TPD-68ET

ELECTRIC FREELOTUS

ELECTRIC SOLID TOP 60



A	Data plate	B	Electrical connection
---	------------	---	-----------------------

MODEL: TPD-68ET
 DIMENSIONS: cm. 80x 60x 24h
 ELECTRIC POWER: 10 kW
 VOLTAGE: 400V~3N
 FREQUENCY: 50/60 Hz



kg: 80
 m³: 0.32
 mm: 1080x630x470

BUY LOTUS BUY ITALY

The pictures are purely representative. The manufacturer reserves the right to modify the technical data and models without previous notice.



LOTUS S.P.A. Via Calmaor, 46
 31020 San Vendemiano(TV) - Italy
 Tel. + 39 0438 778020 / 778468
 Fax + 39 0438 778277
www.lotuscookers.it - lotus@lotuscookers.it