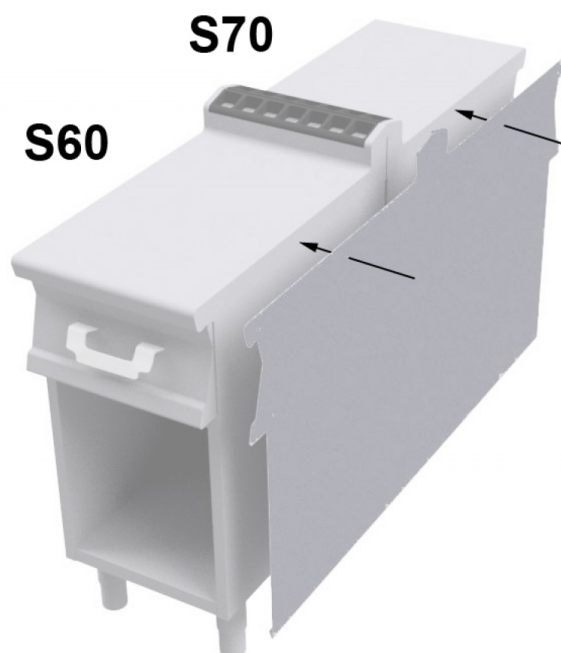


TMA-67DX

60 MAGICLOTUS
ACCESSORIES

Head 2 sides S60/70 right

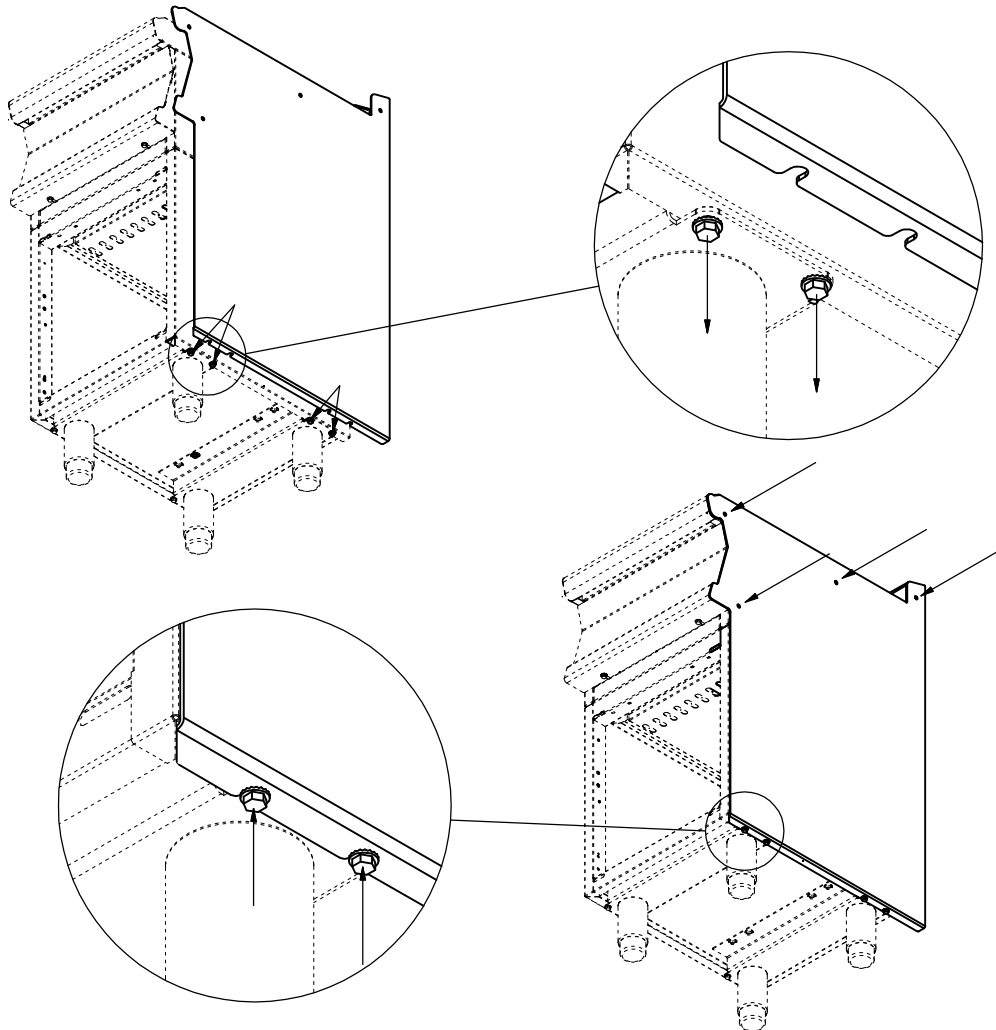


ITALIAN CULINARY ART

The pictures are purely representative. The manufacturer reserves the right to modify the technical data and models without previous notice.

TMA-67DX

60 MAGICLOTUS
ACCESSORIES



A	Data plate				
---	------------	--	--	--	--

MODEL: TMA-67DX
DIMENSIONS: cm. 0,2x130,5



kg: 15
m³: 0.06
mm: 2000x30x1000

BUY LOTUS BUY **ITALY**

The pictures are purely representative. The manufacturer reserves the right to modify the technical data and models without previous notice.



LOTUS S.P.A. Via Calmaor, 46
31020 San Vendemiano(TV) - Italy
Tel. + 39 0438 778020 / 778468
Fax + 39 0438 778277
www.lotuscookers.it - lotus@lotuscookers.it