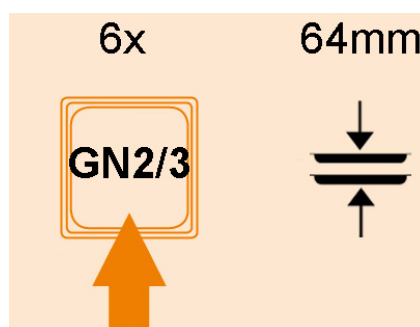
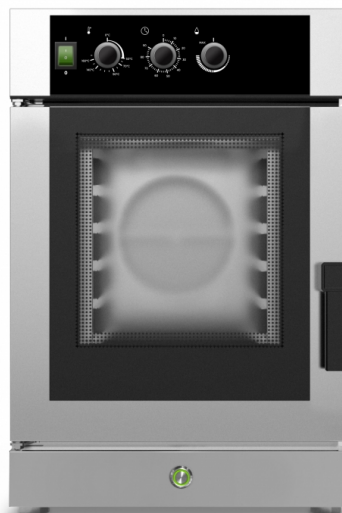


TL236-DAE

TOP LOTUS OVENS

OVENS "TOP" COMPACT

Convection oven with 10 levels steam regulation, analogic/electro-mechanic control panel. Max temperature 280°C. Timer. 2 speed fan with "AUTOREVERSE". Manual opening or closing of the chimney. LED lighting. Left door. Capacity 6xGN2/3



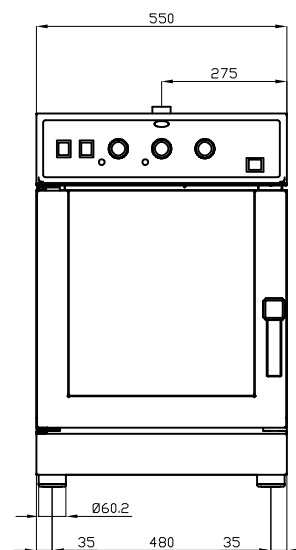
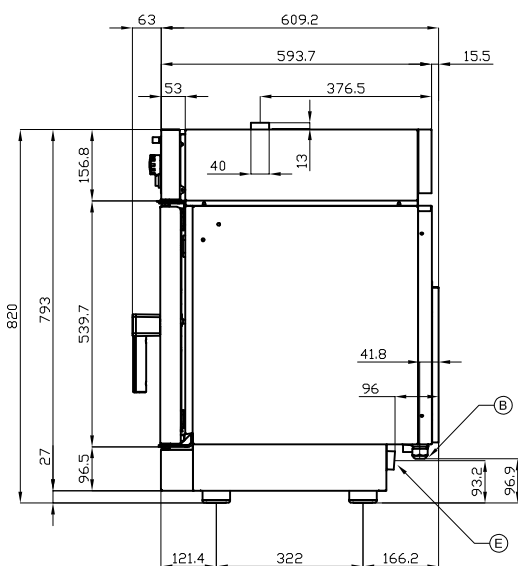
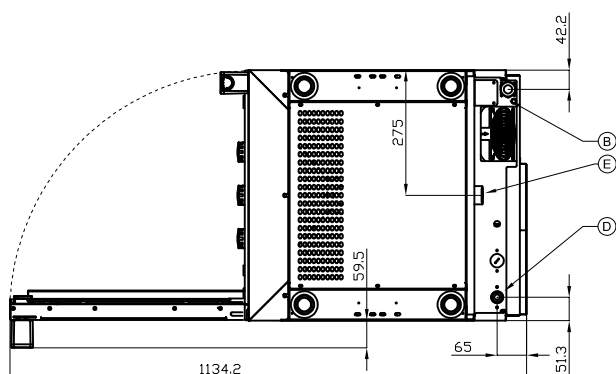
ITALIAN CULINARY ART

The pictures are purely representative. The manufacturer reserves the right to modify the technical data and models without previous notice.

TL236-DAE

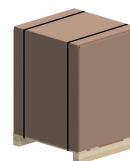
TOP LOTUS OVENS

OVENS "TOP" COMPACT



A	Data plate		B	Electrical connection	
D	Cold water connection	ISO 7-1 3/4" M	E	Water drainage	Ø40mm

MODEL: TL236-DAE
 DIMENSIONS: cm. 55x 61,5x 82,5h
 ELECTRIC POWER: 5,3 kW
 VOLTAGE: 400V~3N
 FREQUENCY: 50/60 Hz



kg: 75
 m³: 0.498
 mm: 610x800x1020

BUY LOTUS BUY ITALY

The pictures are purely representative. The manufacturer reserves the right to modify the technical data and models without previous notice.



LOTUS S.P.A. Via Calmaor, 46
 31020 San Vendemiano(TV) - Italy
 Tel. + 39 0438 778020 / 778468
 Fax + 39 0438 778277
www.lotuscookers.it - lotus@lotuscookers.it