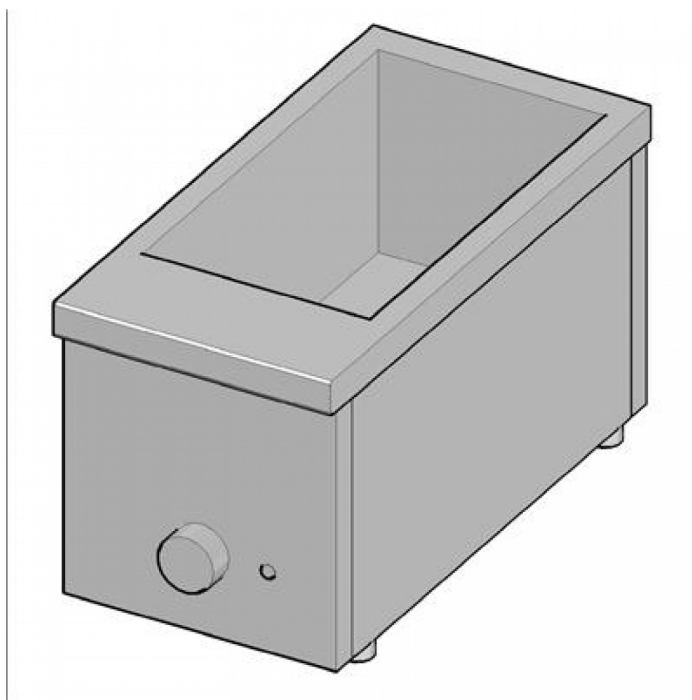


# SV-13

## SNACK BAIN MARIE

Bain-marie - Bowl for GN 1/3, h 15 cm.



Construction - Fabricated using CrNi 18/10 AISI 304 grade Stainless Steel Scotch-Brite Satin polish Finish, incorporating 1mm thick worktop.  
Model - Professional Electric Bain- Marie. Gastronorme 150mm deep tank. Thermostatic control. Fittings - Appliance is supplied with adjustable feet.

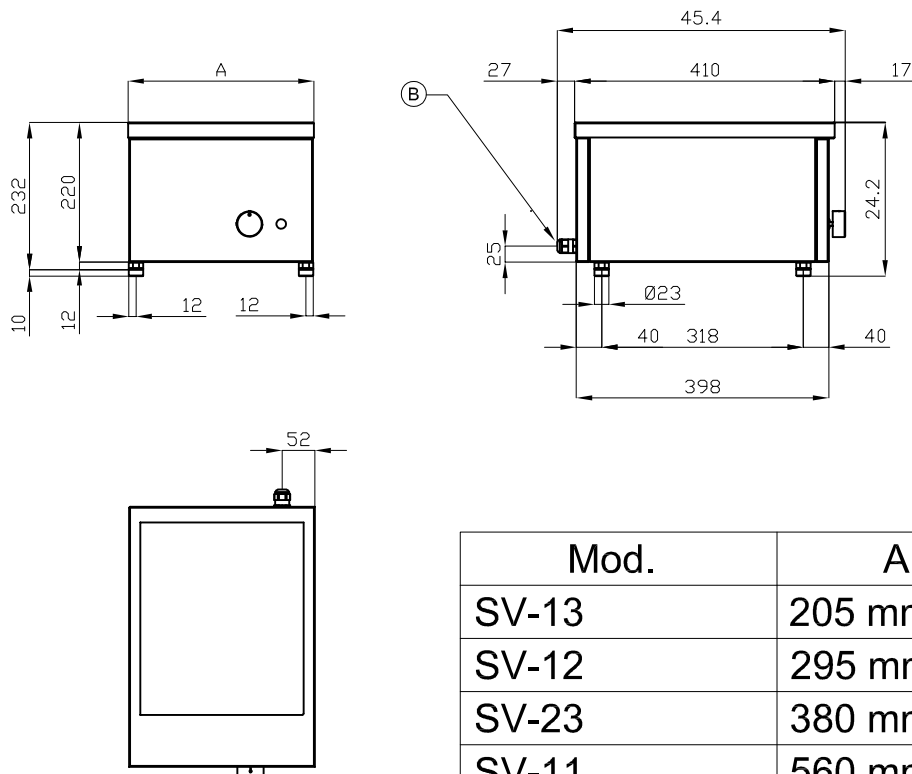


ITALIAN CULINARY ART

The pictures are purely representative. The manufacturer reserves the right to modify the technical data and models without previous notice.

# SV-13

## SNACK BAIN MARIE



Mod.	A
SV-13	205 mm
SV-12	295 mm
SV-23	380 mm
SV-11	560 mm
SV-113	735 mm
SV-123	910 mm

A	Data plate		B	Electrical connection	
---	------------	--	---	-----------------------	--

MODEL: SV-13  
DIMENSIONS: cm. 20,5x 41x 22h  
ELECTRIC POWER: 0,83 kW  
VOLTAGE: 230V~  
FREQUENCY: 50/60 Hz

kg: 5  
m<sup>3</sup>: 0.039  
mm: 230x480x350



BUY LOTUS BUY ITALY

The pictures are purely representative. The manufacturer reserves the right to modify the technical data and models without previous notice.



LOTUS S.P.A. Via Calmaor, 46  
31020 San Vendemiano(TV) - Italy  
Tel. + 39 0438 778020 / 778468  
Fax + 39 0438 778277  
www.lotuscookers.it - lotus@lotuscookers.it