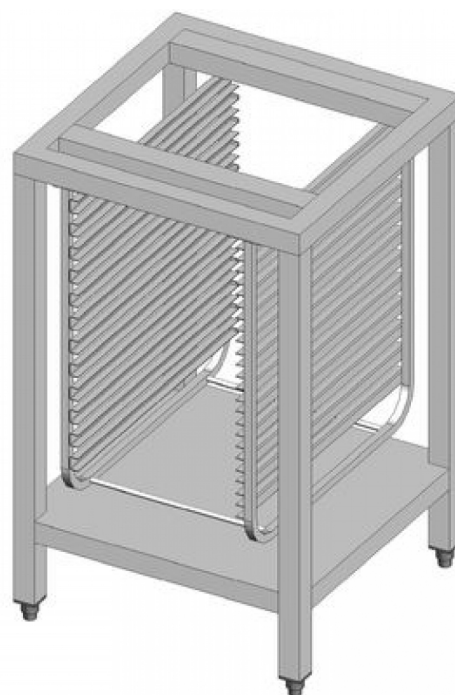


SPRT-TL236

TOP LOTUS OVENS

OVENS ACCESSORIES "TOP"

Stand with bottom shelf and oven rack, 9 levels pitch 70mm, for oven TL236



ITALIAN CULINARY ART

The pictures are purely representative. The manufacturer reserves the right to modify the technical data and models without previous notice.

SPRT-TL236

TOP LOTUS OVENS

OVENS ACCESSORIES "TOP"

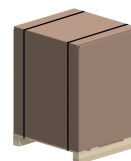
A	Data plate				
---	------------	--	--	--	--

MODEL:

SPRT-TL236

DIMENSIONS:

cm. 55x 54x 90h



kg: 18
m³: 0.443
mm: 600x820x900

BUY LOTUS BUY 

The pictures are purely representative. The manufacturer reserves the right to modify the technical data and models without previous notice.



LOTUS S.P.A. Via Calmaor, 46
31020 San Vendemiano(TV) - Italy
Tel. + 39 0438 778020 / 778468
Fax + 39 0438 778277
www.lotuscookers.it - lotus@lotuscookers.it