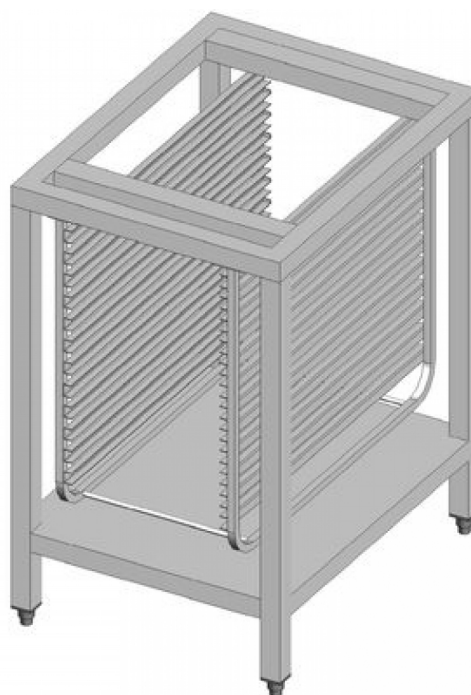


# SPRT-TL106

TOP LOTUS OVENS

OVENS ACCESSORIES "TOP"

Stand with bottom shelf and oven rack, 9 levels pitch 70mm, for oven TL106



ITALIAN CULINARY ART

The pictures are purely representative. The manufacturer reserves the right to modify the technical data and models without previous notice.

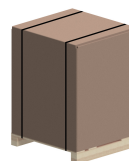
# SPRT-TL106

TOP LOTUS OVENS

OVENS ACCESSORIES "TOP"

|   |            |  |  |  |  |
|---|------------|--|--|--|--|
| A | Data plate |  |  |  |  |
|---|------------|--|--|--|--|

MODEL: SPRT-TL106  
DIMENSIONS: cm. 55x 71x 90h



kg: 20  
m<sup>3</sup>: 0.597  
mm: 670x810x1100

BUY LOTUS BUY 

The pictures are purely representative. The manufacturer reserves the right to modify the technical data and models without previous notice.



LOTUS S.P.A. Via Calmaor, 46  
31020 San Vendemiano(TV) - Italy  
Tel. + 39 0438 778020 / 778468  
Fax + 39 0438 778277  
[www.lotuscookers.it](http://www.lotuscookers.it) - [lotus@lotuscookers.it](mailto:lotus@lotuscookers.it)