

SP-10

SNACK HEATING ELEMENT

Hot plates set - 10 plates



Construction - Fabricated using CrNi 18/10 AISI 304 grade Stainless Steel Scotch-Brite Satin polish Finish, chromed details. Model - The hot plates set is indispensable in any restaurant. It serves for keeping the required temperature of food served on plates, dishes. An electric immersion heater controlled by a thermostat preheat the aluminium plates to a temperature of 90° - 180°C. Grips of aluminium plates are thermally insulated. Fittings - Supporting feet.

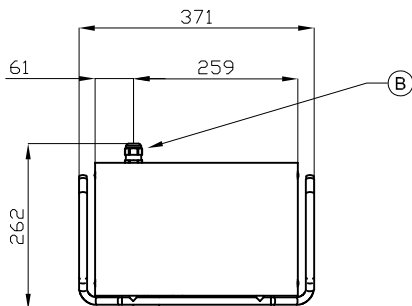


ITALIAN CULINARY ART

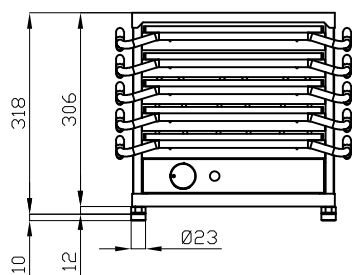
The pictures are purely representative. The manufacturer reserves the right to modify the technical data and models without previous notice.

SP-10

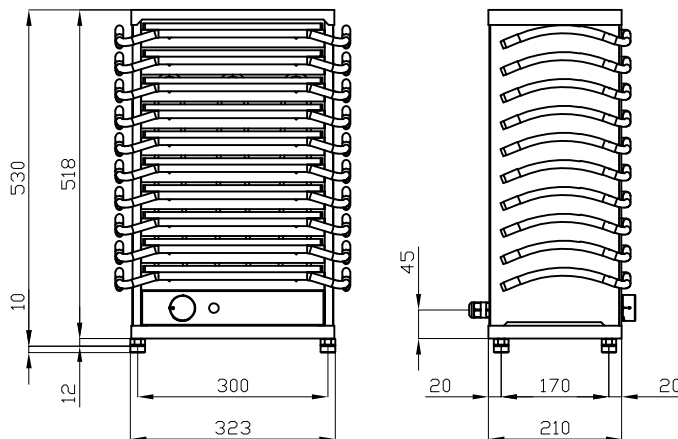
SNACK HEATING ELEMENT



SP-5



SP-10



A	Data plate		B	Electrical connection	
---	------------	--	---	-----------------------	--

MODEL: SP-10
DIMENSIONS: cm. 37x 25x 53h
ELECTRIC POWER: 1,4 kW
VOLTAGE: 230V~
FREQUENCY: 50/60 Hz

kg: 34
m³: 0.135
mm: 630x550x390



BUY LOTUS BUY ITALY

The pictures are purely representative. The manufacturer reserves the right to modify the technical data and models without previous notice.



LOTUS S.P.A. Via Calmaor, 46
31020 San Vendemiano(TV) - Italy
Tel. + 39 0438 778020 / 778468
Fax + 39 0438 778277
www.lotuscookers.it - lotus@lotuscookers.it