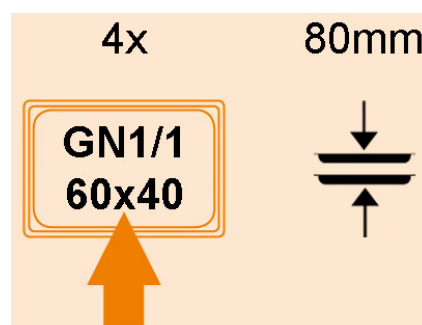


SL004-DTE

SIMPLE LOTUS OVENS

OVENS "SIMPLE" ELECTRIC

Convection oven with 10 levels steam regulation, Touch Screen 5" control panel with encoder. Max temperature 260°C. Core probe+Δt. 2 speeds fan, "PREHEATING", special cycles: "MULTI LEVEL MIX", "REGENERATION", "PROOFING" and "COOLING DOWN". Chamber washing with liquid detergent. Motorized chimney open or close. LED lighting. Left door. "USB". Capacity 4xcm.60x40, 4xGN1/1.



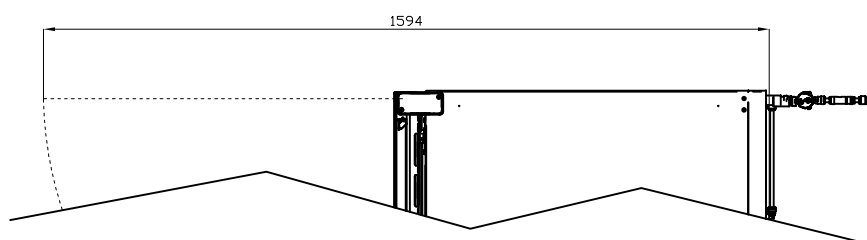
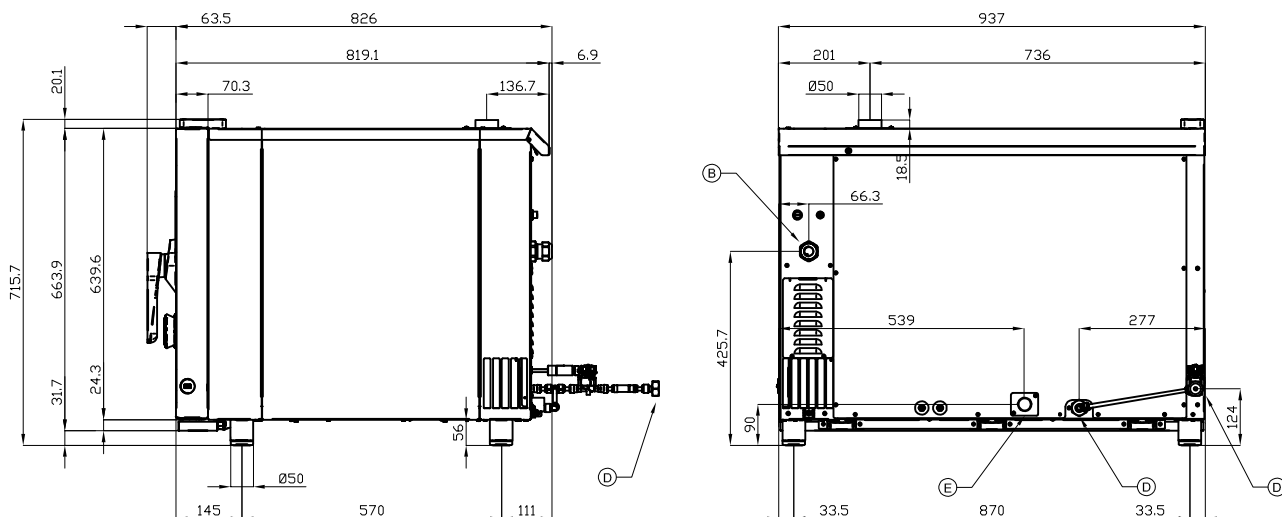
ITALIAN CULINARY ART

The pictures are purely representative. The manufacturer reserves the right to modify the technical data and models without previous notice.

SL004-DTE

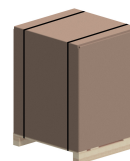
SIMPLE LOTUS OVENS

OVENS "SIMPLE" ELECTRIC



A	Data plate		B	Electrical connection	
D	Cold water connection	ISO 7-1 3/4" M	E	Water drainage	Ø30mm

MODEL: SL004-DTE
 DIMENSIONS: cm. 94x 83x 72h
 ELECTRIC POWER: 10,5 kW
 VOLTAGE: 400V~3N / 230V~3
 FREQUENCY: 50 Hz



kg: 105
 m³: 0.861
 mm: 1020x970x870

BUY LOTUS BUY ITALY

The pictures are purely representative. The manufacturer reserves the right to modify the technical data and models without previous notice.



LOTUS S.P.A. Via Calmaor, 46
 31020 San Vendemiano(TV) - Italy
 Tel. + 39 0438 778020 / 778468
 Fax + 39 0438 778277
 www.lotuscookers.it - lotus@lotuscookers.it