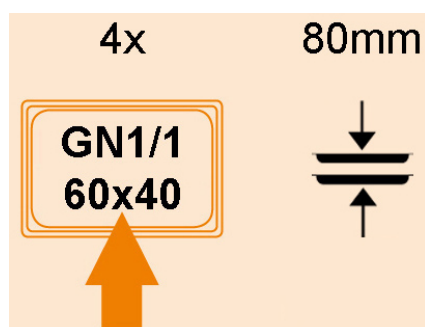


SL004-DAG

SIMPLE LOTUS OVENS

OVENS "SIMPLE" GAS

Convection oven with 10 levels steam regulation, analogic/electro-mechanic control panel. Max temperature 260°C. Timer. 2 speeds fan. Chimney open. LED lighting. Left door. Capacity 4xcm.60x40, 4xGN1/1.



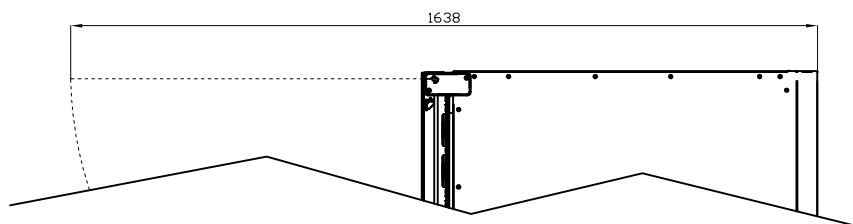
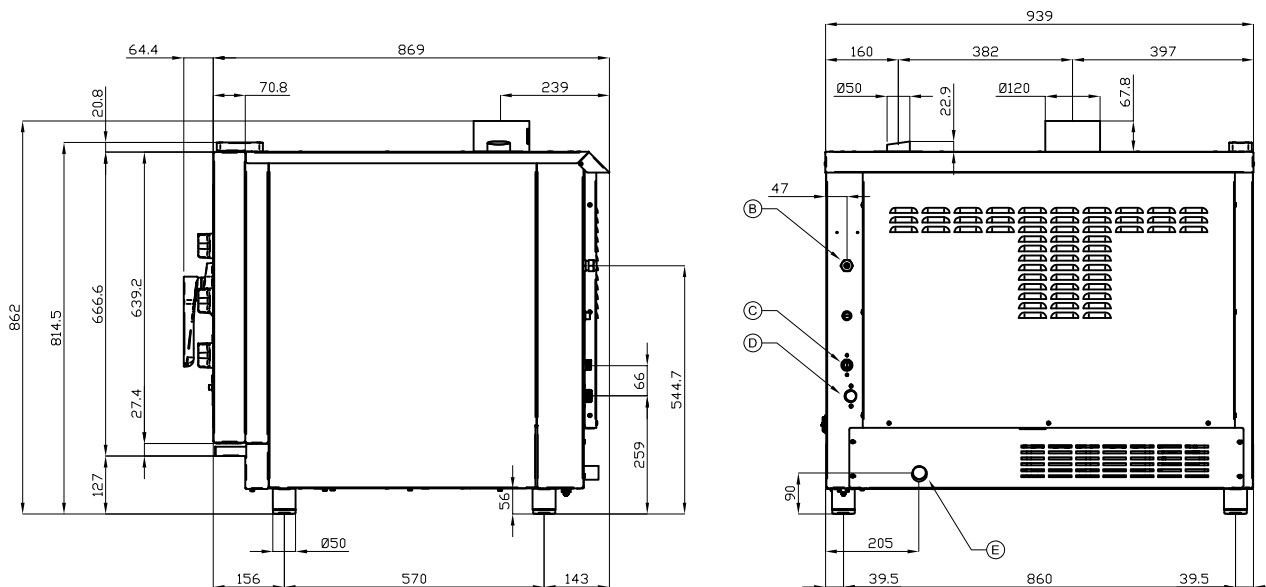
ITALIAN CULINARY ART

The pictures are purely representative. The manufacturer reserves the right to modify the technical data and models without previous notice.

SL004-DAG

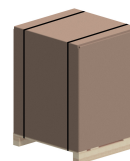
SIMPLE LOTUS OVENS

OVENS "SIMPLE" GAS



A	Data plate		B	Electrical connection	
C	Gas connection	ISO 7-1 3/4" M	D	Cold water connection	ISO 7-1 3/4" M
E	Water drainage	Ø30mm			

MODEL: SL004-DAG
DIMENSIONS: cm. 94x 87x 83h
GAS POWER: 12 kW / 10.320 kcal/h
GAS TYPE: Natural Gas / LPG
ELECTRIC POWER: 0,33 kW
VOLTAGE: 230V~
FREQUENCY: 50 Hz



kg: 137
m³: 0.91
mm: 1020x970x920

BUY LOTUS BUY ITALY

The pictures are purely representative. The manufacturer reserves the right to modify the technical data and models without previous notice.



LOTUS S.P.A. Via Calmaor, 46
 31020 San Vendemiano(TV) - Italy
 Tel. + 39 0438 778020 / 778468
 Fax + 39 0438 778277
www.lotuscookers.it - lotus@lotuscookers.it