

SCCP-92EM

90 IPERLOTUS BASKET ELEVATOR



View 3D

basket elevator for pasta cooker CP-94/98,
automatic timed or manual lifting, 3 rods
(included 1 Head end filler strip mod.TPA-9)



Construction - Fabricated using CrNi 18/10 AISI 304 grade Stainless Steel Scotch-Brite Satin polish Finish, incorporating 2mm thick worktop, rounded edges, chrome details and rear splash back. Model - Professional Electric Basket Elevator for Pasta Cookers CP-94/98 and CPB-98. Fitted with automatic timed or manual lifting, 3 rods.

Maintenance - All serviceable parts are accessible by the easy removal of front control panel. **Fittings** - Appliance is supplied with adjustable feet.



ITALIAN CULINARY ART

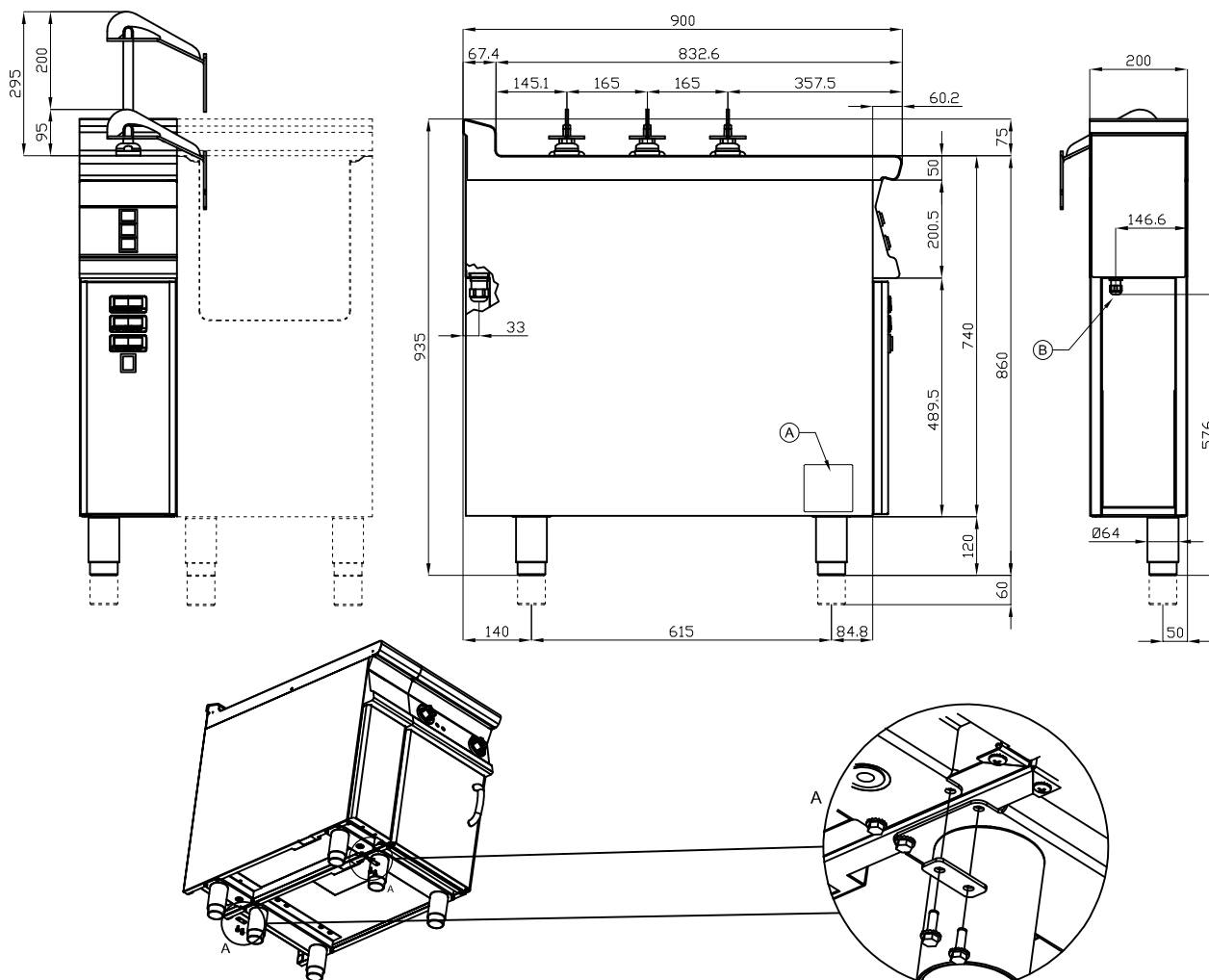
The pictures are purely representative. The manufacturer reserves the right to modify the technical data and models without previous notice.

SCCP-92EM

90 IPERLOTUS BASKET ELEVATOR



View 3D



A	Data plate	B	Electrical connection
---	------------	---	-----------------------

MODEL: SCCP-92EM
 DIMENSIONS: cm. 20x 90x 90h
 ELECTRIC POWER: 0,525 KW
 VOLTAGE: 230V~
 FREQUENCY: 50/60 Hz



kg: 65
 m³: 0.463
 mm: 430x970x1110

BUY LOTUS BUY ITALY

The pictures are purely representative. The manufacturer reserves the right to modify the technical data and models without previous notice.



LOTUS S.P.A. Via Calmaor, 46
 31020 San Vendemiano(TV) - Italy
 Tel. + 39 0438 778020 / 778468
 Fax + 39 0438 778277
 www.lotuscookers.it - lotus@lotuscookers.it