

SCCP-72EM

70 SUPERLOTUS BASKET ELEVATOR



View 3D

basket elevator for pasta cooker CP-74/78,
automatic timed or manual lifting, 2 rods
(included 1 Head end filler strip mod.TPA-7)



Construction - Fabricated using CrNi 18/10 AISI 304 grade Stainless Steel Scotch-Brite Satin polish Finish, incorporating 2 mm thick worktop, rounded edges, chrome details and rear splash back. Model - Professional Electric Basket Elevator for Pasta Cookers CP-74/78. Fitted with automatic timed or manual lifting, 2 rods. Maintenance - All serviceable parts are accessible by the easy removal of front control panel. Fittings - Appliance is supplied with adjustable feet.



ITALIAN CULINARY ART

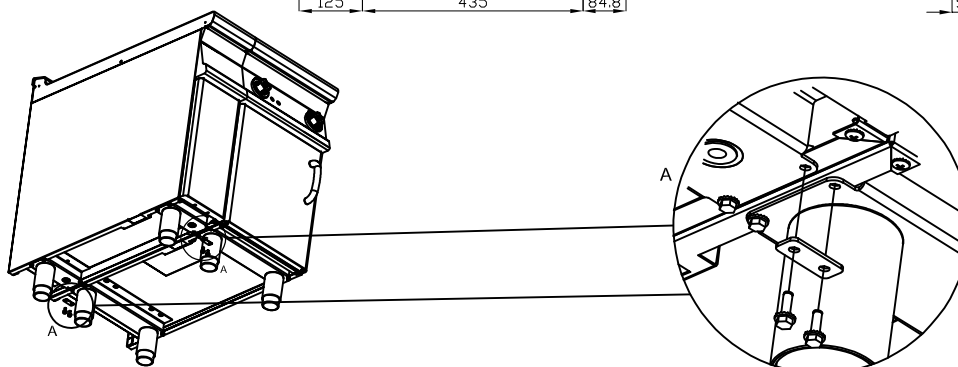
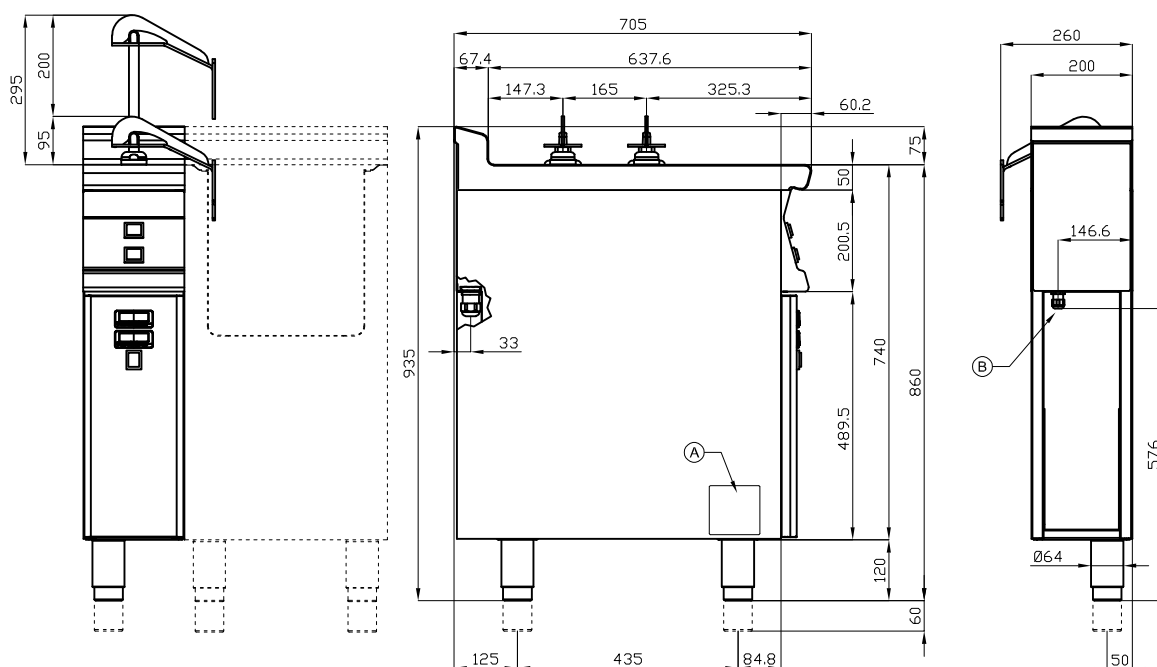
The pictures are purely representative. The manufacturer reserves the right to modify the technical data and models without previous notice.

SCCP-72EM

70 SUPERLOTUS BASKET ELEVATOR



View 3D



A	Data plate	B	Electrical connection
---	------------	---	-----------------------

MODEL: SCCP-72EM
DIMENSIONS: cm. 20x 70,5x 90h
ELECTRIC POWER: 0,35 kW
VOLTAGE: 230V~
FREQUENCY: 50/60 Hz



kg: 45
m³: 0.368
mm: 430x770x1110

BUY LOTUS BUY ITALY

The pictures are purely representative. The manufacturer reserves the right to modify the technical data and models without previous notice.



LOTUS S.P.A. Via Calmaor, 46
31020 San Vendemiano (TV) - Italy
Tel. + 39 0438 778020 / 778468
Fax + 39 0438 778277
www.lotuscookers.it - lotus@lotuscookers.it