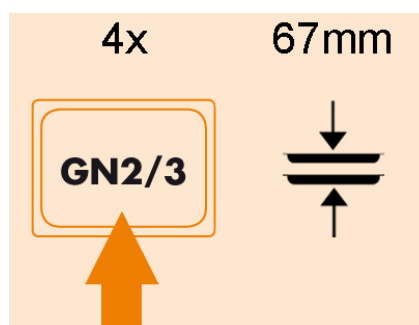


SC423GAD

MINI LOTUS OVENS

OVENS "MINI" GN2/3

Convection oven with steam regulation and grill. Analogic/electro-mechanic control panel. Max temperature 270°C. Timer. 1 speed fan. "DEFROST / COOLING". Lighting. Left door. Capacity 4xGN2/3, equipped with 1 grid.



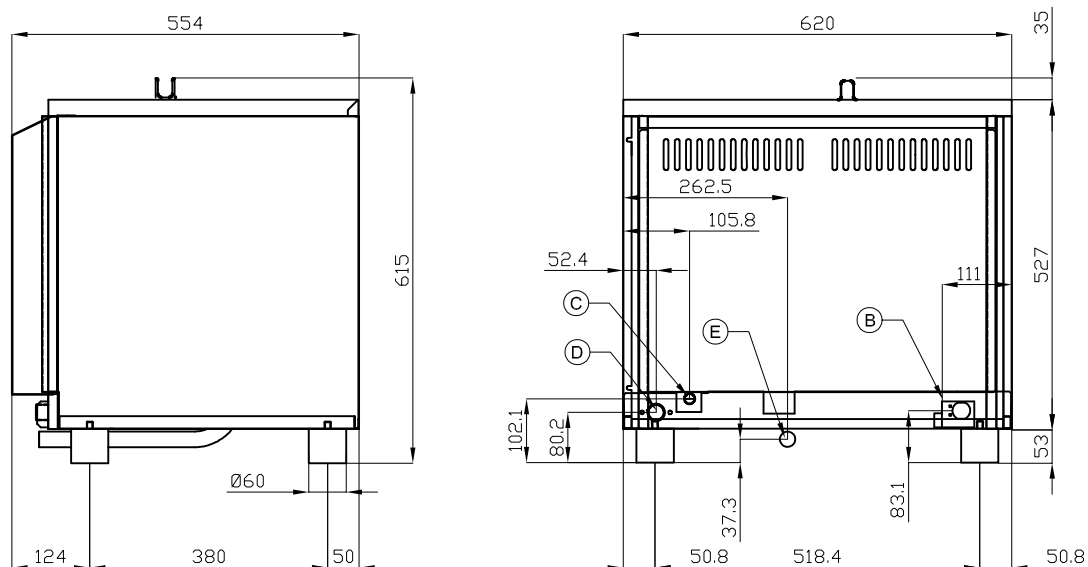
ITALIAN CULINARY ART

The pictures are purely representative. The manufacturer reserves the right to modify the technical data and models without previous notice.

SC423GAD

MINI LOTUS OVENS

OVENS "MINI" GN2/3



A	Data plate		B	Electrical connection	
C	Gas connection	ISO 7-1 3/8" M	D	Cold water connection	ISO 7-1 3/4" M
E	Water drainage	Ø25mm			

MODEL: SC423GAD
DIMENSIONS: cm. 62x 64,5x 61,5h
GAS POWER: 4 kW / 3.440 Kcal/h
GAS TYPE: Natural Gas / LPG
ELECTRIC POWER: 1,8 kW
VOLTAGE: 230V~
FREQUENCY: 50/60 Hz



kg: 47
m³: 0.365
mm: 680x680x790

BUY LOTUS BUY ITALY

The pictures are purely representative. The manufacturer reserves the right to modify the technical data and models without previous notice.



LOTUS S.P.A. Via Calmaor, 46
31020 San Vendemiano (TV) - Italy
Tel. + 39 0438 778020 / 778468
Fax + 39 0438 778277
www.lotuscookers.it - lotus@lotuscookers.it