

SC423EAD

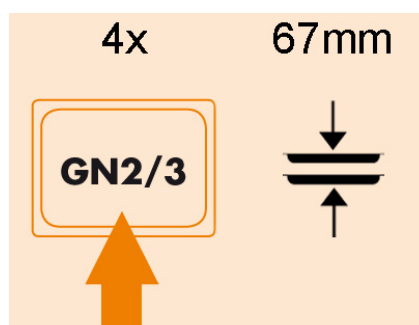
MINI LOTUS OVENS

OVENS "MINI" GN2/3

Multifunction oven with steam regulation and grill. Analogic/electro-mechanic control panel. Max temperature 270°C. Timer. 1 speed fan. "DEFROST / COOLING". Lighting. Left door. Capacity 4xGN2/3, equipped with 1 grid.



Construction - Fabricated using CrNi 18/10 AISI 304 grade Stainless Steel, insulated door with double tempered glass 4mm thick and athermal handles. Model - Semi-professional free standing oven, capacity 4 GN-2/3. Cooking chamber with rounded angles and chromed rack, with 50 - 250degC control. Direct steam with electric valve. Starting with timer up to 120 minutes or in the manual position. Internal light, removable liquid containers. Multifunction electric model - 9 position switch: Light / Static / Roof / Floor / Grill / Ventilated Roof / Ventilated Floor / Defrosting Electric and gaz model - 4 position switch: Light / Grill / Gas+Steam / Defrosting Maintenance - All serviceable parts are accessible by the easy removal of cover. Fittings - Appliance is supplied with adjustable feet.



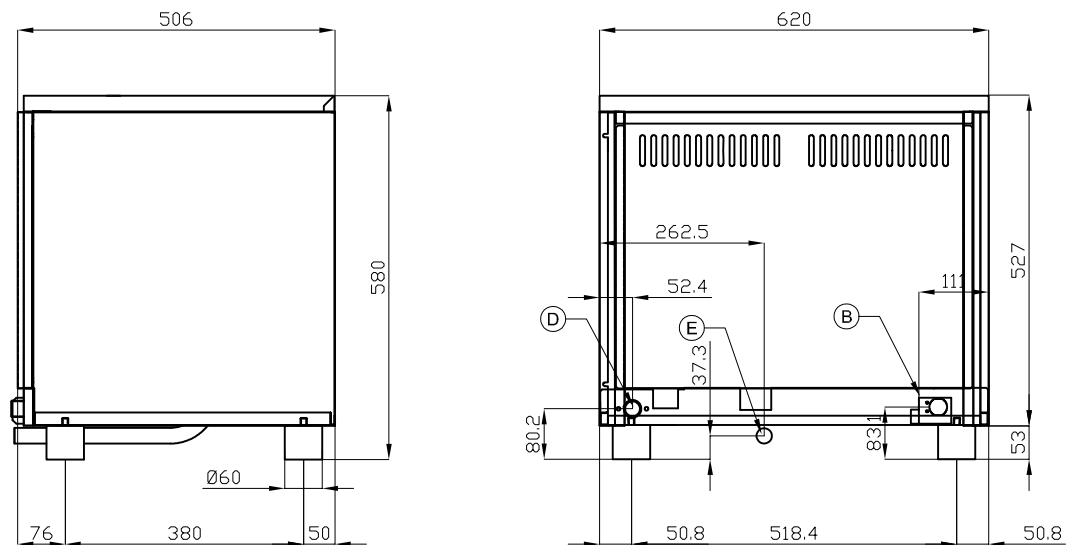
ITALIAN CULINARY ART

The pictures are purely representative. The manufacturer reserves the right to modify the technical data and models without previous notice.

SC423EAD

MINI LOTUS OVENS

OVENS "MINI" GN2/3



A	Data plate		B	Electrical connection	
D	Cold water connection	ISO 7-1 3/4" M	E	Water drainage	Ø25mm

MODEL: SC423EAD
DIMENSIONS: cm. 62x 60x 58h
ELECTRIC POWER: 3 kW
VOLTAGE: 230V~
FREQUENCY: 50/60 Hz



kg: 44
m³: 0.365
mm: 680x680x790

BUY LOTUS BUY ITALY

The pictures are purely representative. The manufacturer reserves the right to modify the technical data and models without previous notice.



LOTUS S.P.A. Via Calmaor, 46
31020 San Vendemiano(TV) - Italy
Tel. + 39 0438 778020 / 778468
Fax + 39 0438 778277
www.lotuscookers.it - lotus@lotuscookers.it