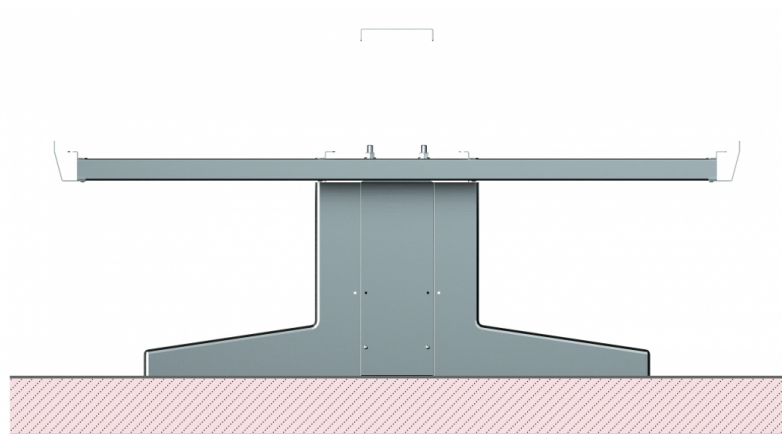


# SB99T-4,8A

HIGHLLOTUS

CANTILEVER STRUCTURE 2 sides S90 self-supporting

CANTILEVER STRUCTURE 2 sides S90T, 2 self-supporting feet



Construction - Basic structure made in galvanized iron 4mm thick. Structure for support cooking appliances in stainless steel CrNi 18/10 304 with 3 mm thick. External panels with Stainless Steel Scotch-Brite Satin polish Finish, rounded edges, chromed details. Model - Cantilever structure for professional kitchens, designed for the support of the Iperlotus 90 line. Maintenance - All serviceable parts are accessible by the easy removal of front external panels.



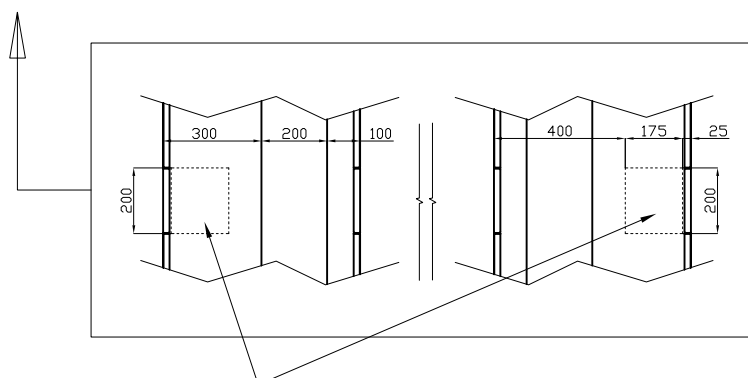
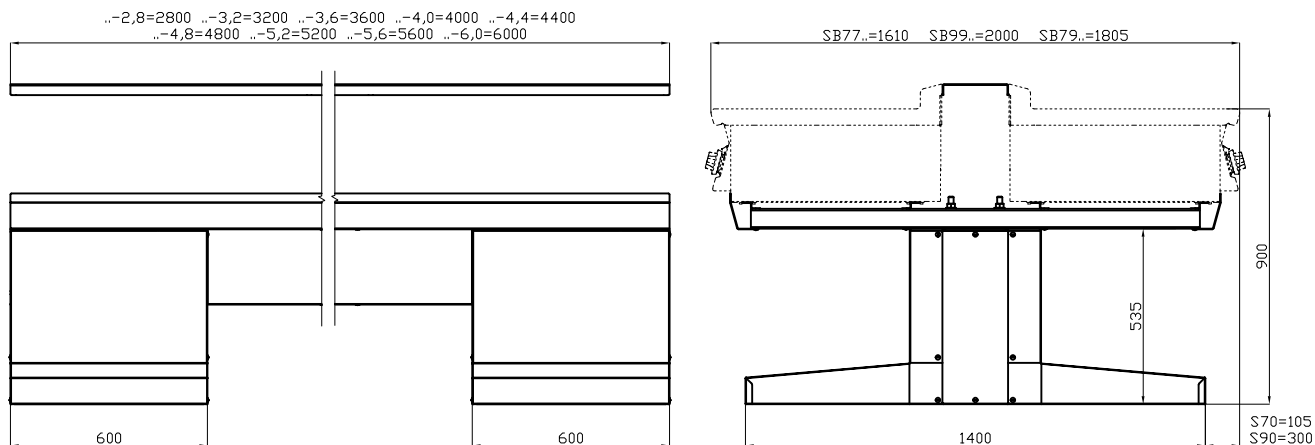
ITALIAN CULINARY ART

The pictures are purely representative. The manufacturer reserves the right to modify the technical data and models without previous notice.

# SB99T-4,8A

HIGHLLOTUS

CANTILEVER STRUCTURE 2 sides S90 self-supporting



Passaggio per allacciamenti/ Durchgang für Verbindungen/ Passage pour les connexions  
 Passage for connections/ Paso para las conexiones

A	Data plate				
---	------------	--	--	--	--

MODEL: SB99T-4,8A  
 DIMENSIONS: cm. 480x 200x 90h



kg: 360  
 m<sup>3</sup>: 6.517  
 mm: 4900x1900x700

BUY LOTUS BUY ITALY

The pictures are purely representative. The manufacturer reserves the right to modify the technical data and models without previous notice.



LOTUS S.P.A. Via Calmaor, 46  
 31020 San Vendemiano(TV) - Italy  
 Tel. + 39 0438 778020 / 778468  
 Fax + 39 0438 778277  
 www.lotuscookers.it - lotus@lotuscookers.it