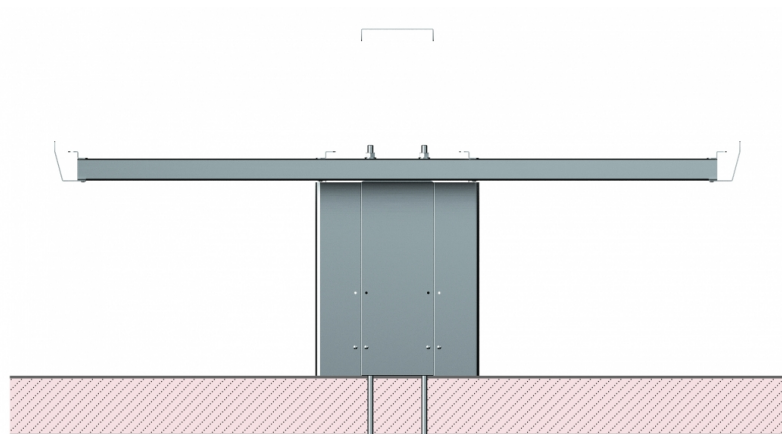


# SB99T-3,6

HIGHLLOTUS

CANTILEVER STRUCTURE 2 sides S90

CANTILEVER STRUCTURE 2 sides S90T, 2 feet  
for ground fixing



Construction - Basic structure made in galvanized iron 4mm thick.  
Structure for support cooking appliances in stainless steel CrNi 18/10 304  
with 3 mm thick. External panels with Stainless Steel Scotch-Brite Satin  
polish Finish, rounded edges, chromed details. Model - Cantilever  
structure for professional kitchens, designed for the support of the  
Iperlotus 90 line. Maintenance - All serviceable parts are accessible by  
the easy removal of front external panels.



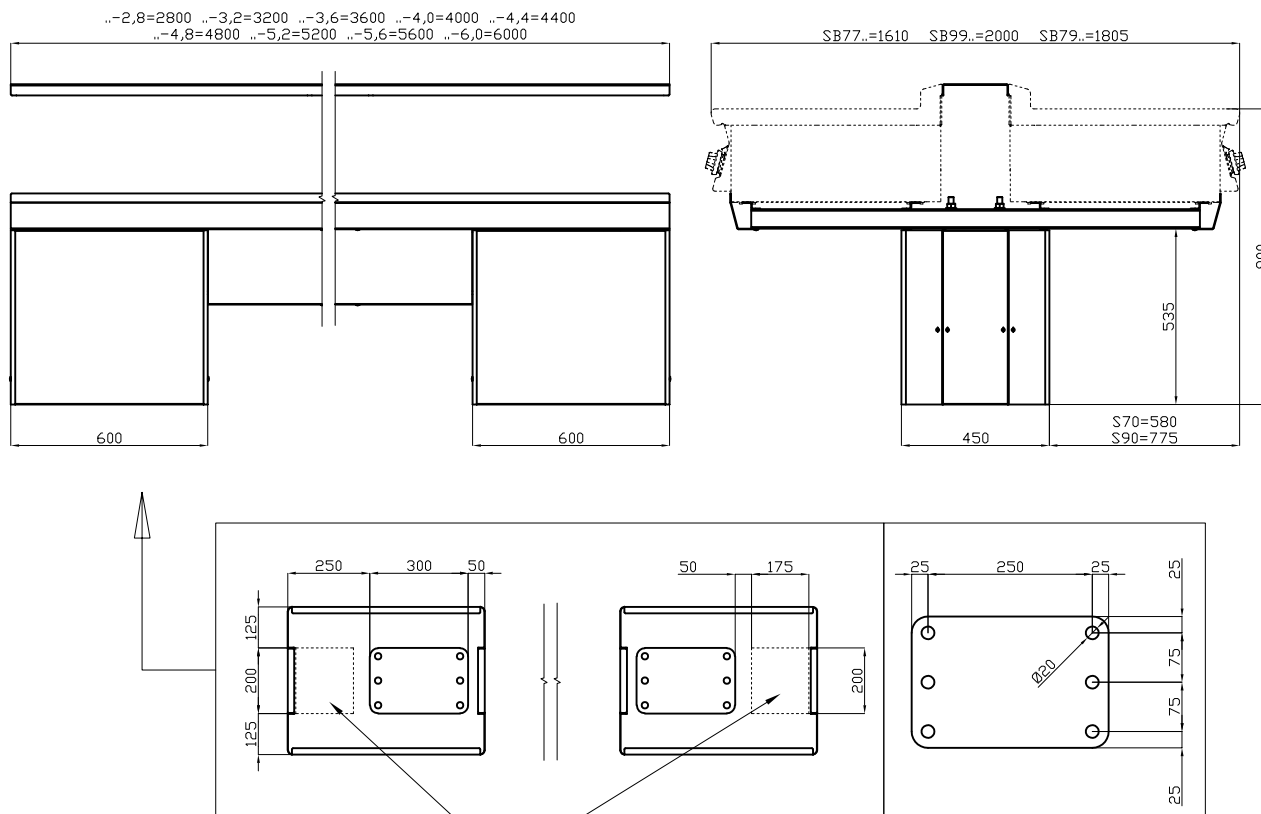
ITALIAN CULINARY ART

The pictures are purely representative. The manufacturer reserves the right to modify the technical data and models without previous notice.

# SB99T-3,6

HIGHLLOTUS

CANTILEVER STRUCTURE 2 sides S90



Passaggio per allacciamenti/ Durchgang für Verbindungen/ Passage pour les connexions  
Passage for connections/ Paso para las conexiones

A	Data plate				
---	------------	--	--	--	--

MODEL:

SB99T-3,6

DIMENSIONS:

cm. 360x 200x 90h



kg: 281  
m<sup>3</sup>: 4.921  
mm: 3700x1900x700

BUY LOTUS BUY ITALY

The pictures are purely representative. The manufacturer reserves the right to modify the technical data and models without previous notice.



LOTUS S.P.A. Via Calmaor, 46  
31020 San Vendemiano (TV) - Italy  
Tel. + 39 0438 778020 / 778468  
Fax + 39 0438 778277  
www.lotuscookers.it - lotus@lotuscookers.it