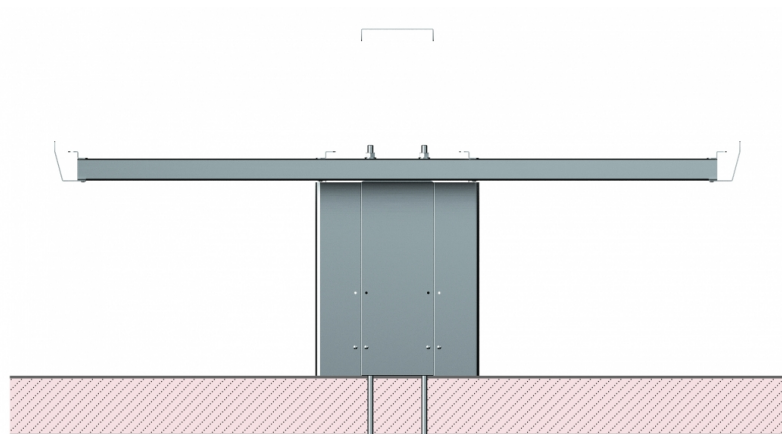


# SB79T-6,0

HIGHLLOTUS

CANTILEVER STRUCTURE 2 sides S70/S90

CANTILEVER STRUCTURE 2 sides S70T/90T, 2  
feet for ground fixing



Construction - Basic structure made in galvanized iron 4mm thick.  
Structure for support cooking appliances in stainless steel CrNi 18/10 304  
with 3 mm thick. External panels with Stainless Steel Scotch-Brite Satin  
polish Finish, rounded edges, chromed details. Model - Cantilever  
structure for professional kitchens, designed for the support of the line  
Superlotus 70 on one side and Iperlotus 90 on the other side.  
Maintenance - All serviceable parts are accessible by the easy removal of  
front external panels.



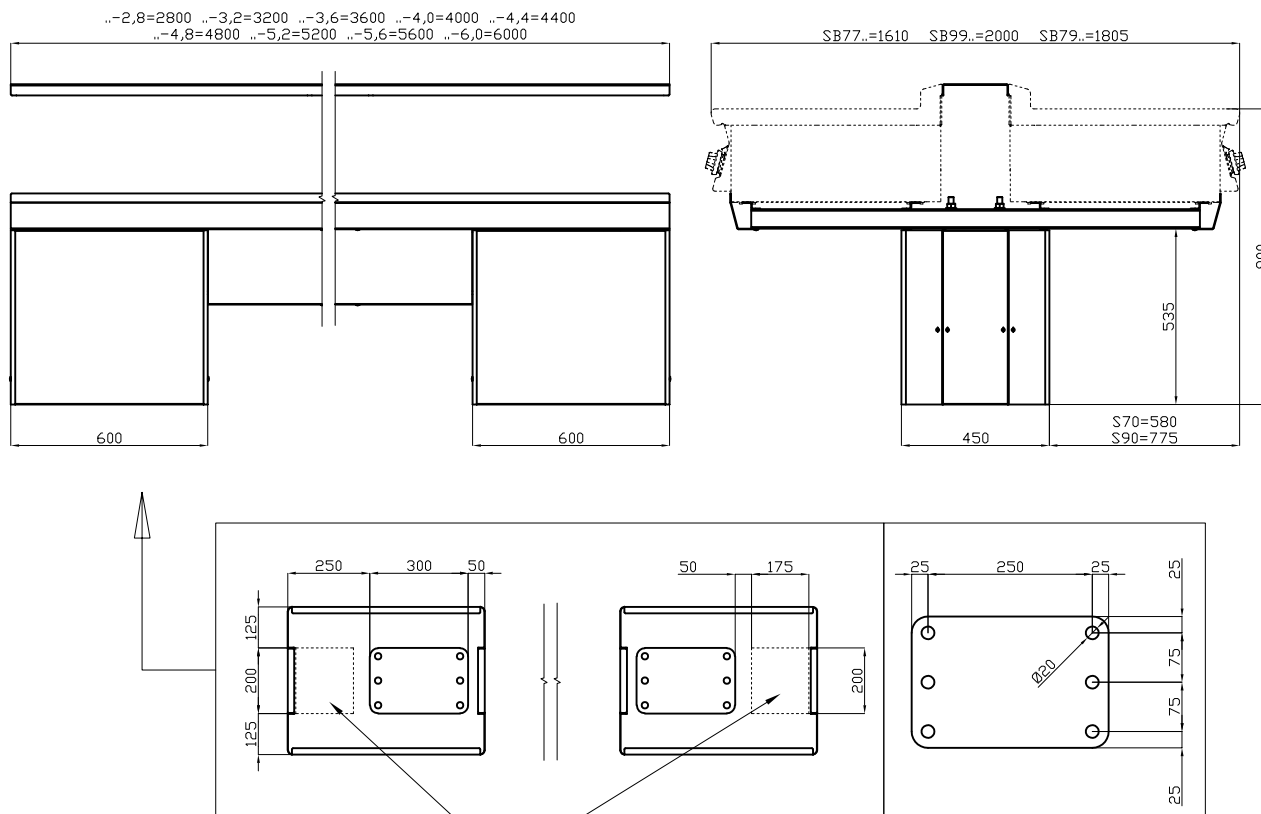
ITALIAN CULINARY ART

The pictures are purely representative. The manufacturer reserves the right to modify the technical data and models without previous notice.

# SB79T-6,0

HIGHLLOTUS

CANTILEVER STRUCTURE 2 sides S70/S90



Passaggio per allacciamenti/ Durchgang für Verbindungen/ Passage pour les connexions  
Passage for connections/ Paso para las conexiones

A	Data plate				
---	------------	--	--	--	--

MODEL: SB79T-6,0  
DIMENSIONS: cm. 600x180,5x 90h



kg: 434  
m<sup>3</sup>: 7.259  
mm: 6100x1700x700

BUY LOTUS BUY ITALY

The pictures are purely representative. The manufacturer reserves the right to modify the technical data and models without previous notice.



LOTUS S.P.A. Via Calmaor, 46  
31020 San Vendemiano (TV) - Italy  
Tel. + 39 0438 778020 / 778468  
Fax + 39 0438 778277  
www.lotuscookers.it - lotus@lotuscookers.it