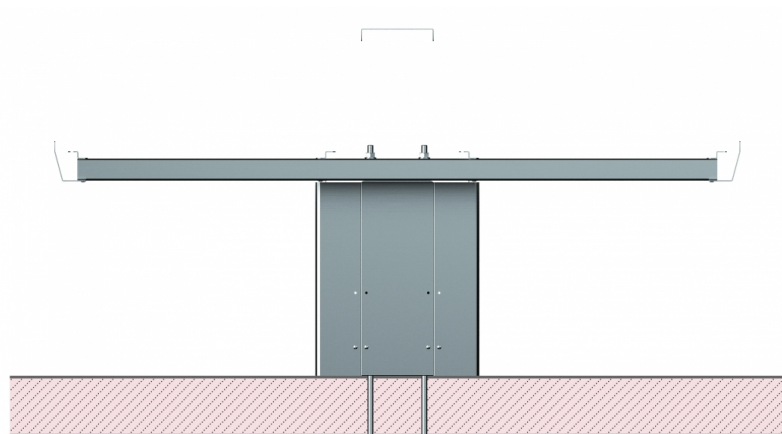


SB79T-2,8

HIGHLLOTUS

CANTILEVER STRUCTURE 2 sides S70/S90

CANTILEVER STRUCTURE 2 sides S70T/90T, 2
feet for ground fixing



Construction - Basic structure made in galvanized iron 4mm thick.
Structure for support cooking appliances in stainless steel CrNi 18/10 304
with 3 mm thick. External panels with Stainless Steel Scotch-Brite Satin
polish Finish, rounded edges, chromed details. Model - Cantilever
structure for professional kitchens, designed for the support of the line
Superlotus 70 on one side and lperlotus 90 on the other side.
Maintenance - All serviceable parts are accessible by the easy removal of
front external panels.



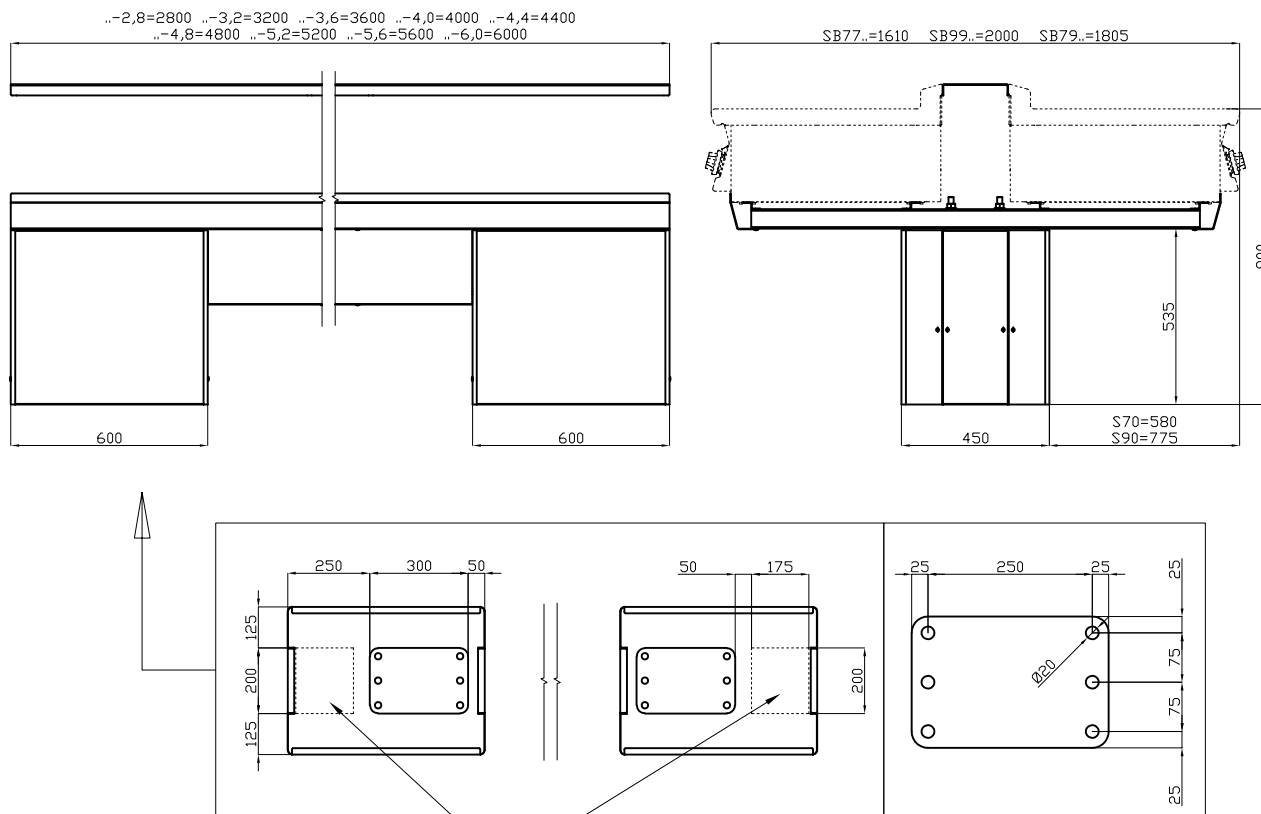
ITALIAN CULINARY ART

The pictures are purely representative. The manufacturer reserves the right to modify the technical data and models without previous notice.

SB79T-2,8

HIGHLLOTUS

CANTILEVER STRUCTURE 2 sides S70/S90



Passaggio per allacciamenti/ Durchgang für Verbindungen/ Passage pour les connexions
Passage for connections/ Paso para las conexiones

A	Data plate				
---	------------	--	--	--	--

MODEL:

SB79T-2,8

DIMENSIONS:

cm. 280x180,5x 90h



kg: 222
m³: 3.451
mm: 2900x1700x700

BUY LOTUS BUY ITALY

The pictures are purely representative. The manufacturer reserves the right to modify the technical data and models without previous notice.



LOTUS S.P.A. Via Calmaor, 46
31020 San Vendemiano(TV) - Italy
Tel. + 39 0438 778020 / 778468
Fax + 39 0438 778277
www.lotuscookers.it - lotus@lotuscookers.it