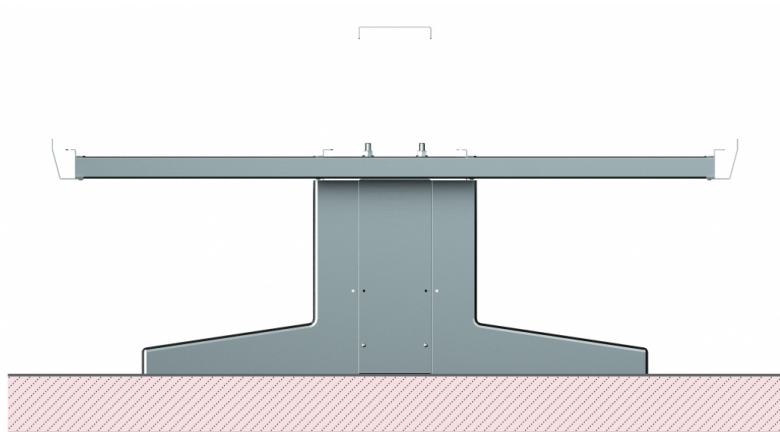


SB77T-3,2A

HIGHLOTUS

CANTILEVER STRUCTURE 2 sides S70 self-supporting

CANTILEVER STRUCTURE 2 sides S70T, 2 self-supporting feet



Construction - Basic structure made in galvanized iron 4mm thick. Structure for support cooking appliances in stainless steel CrNi 18/10 304 with 3 mm thick. External panels with Stainless Steel Scotch-Brite Satin polish Finish, rounded edges, chromed details. Model - Cantilever structure for professional kitchens, designed for the support of the Superlotus 70 line. Maintenance - All serviceable parts are accessible by the easy removal of front external panels.



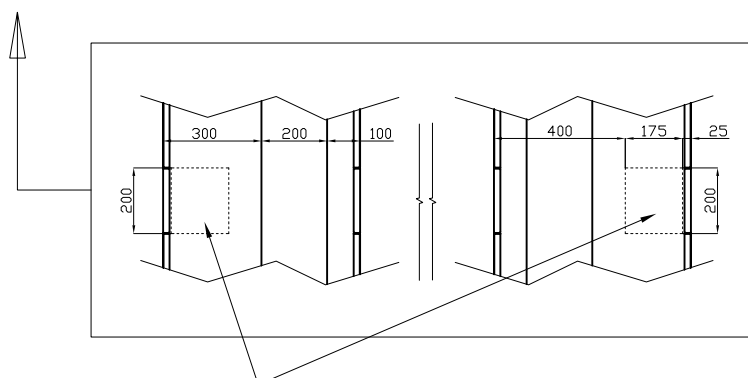
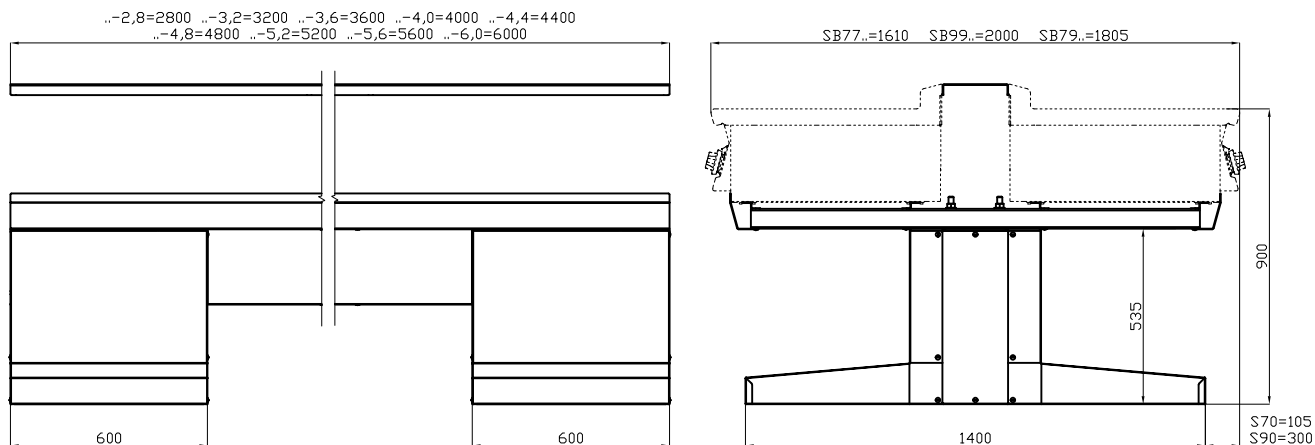
ITALIAN CULINARY ART

The pictures are purely representative. The manufacturer reserves the right to modify the technical data and models without previous notice.

SB77T-3,2A

HIGHLLOTUS

CANTILEVER STRUCTURE 2 sides S70 self-supporting



Passaggio per allacciamenti/ Durchgang für Verbindungen/ Passage pour les connexions
 Passage for connections/ Paso para las conexiones

A	Data plate				
---	------------	--	--	--	--

MODEL: SB77T-3,2A
 DIMENSIONS: cm. 320x 161x 90h



kg: 248
 m³: 3.465
 mm: 3300x1500x700

BUY LOTUS BUY ITALY

The pictures are purely representative. The manufacturer reserves the right to modify the technical data and models without previous notice.



LOTUS S.P.A. Via Calmaor, 46
 31020 San Vendemiano(TV) - Italy
 Tel. + 39 0438 778020 / 778468
 Fax + 39 0438 778277
 www.lotuscookers.it - lotus@lotuscookers.it