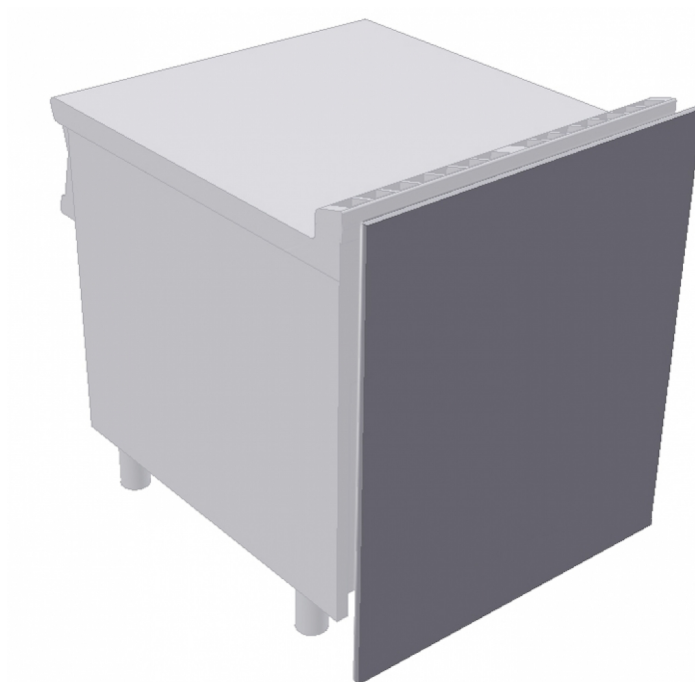


# SA-63

## 60 MAGICLOTUS ACCESSORIES

Back cover

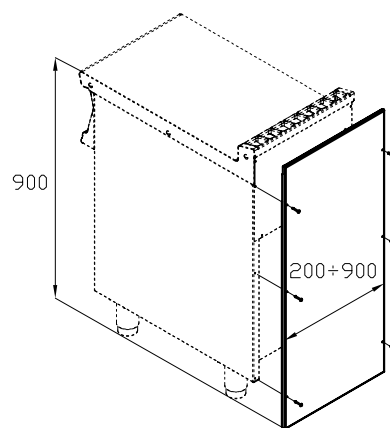
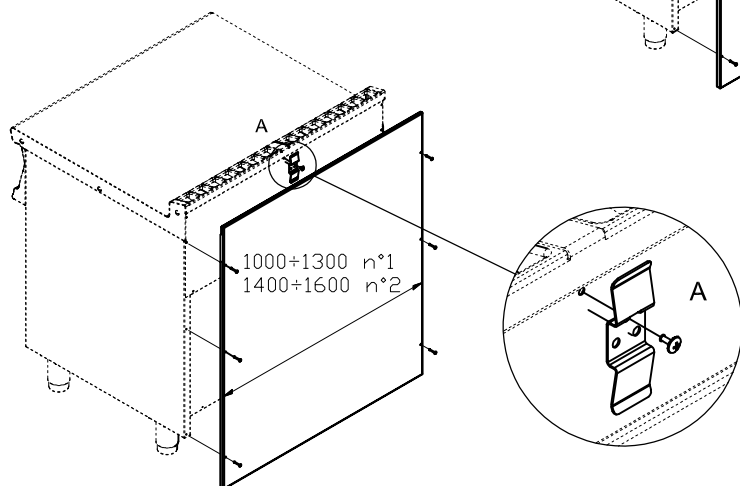
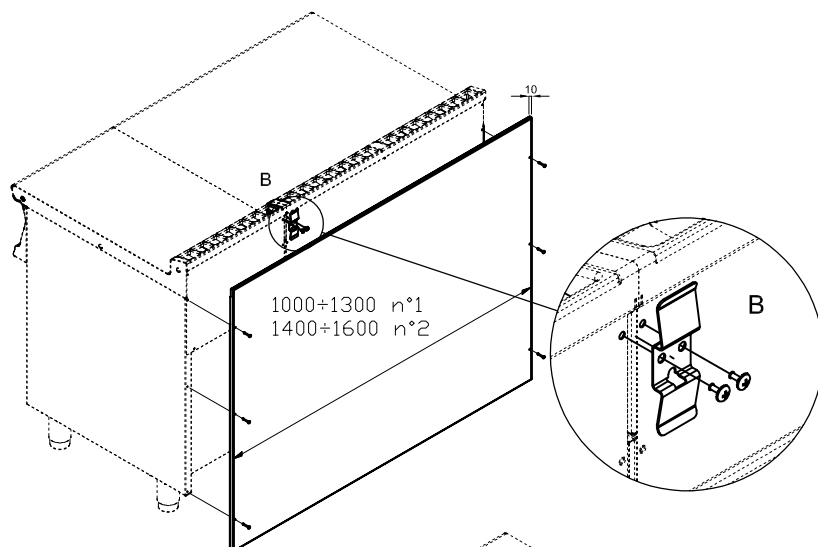
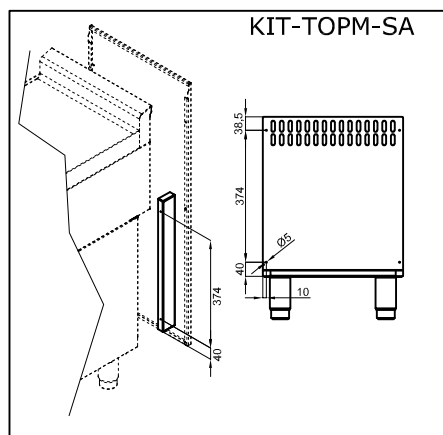


ITALIAN CULINARY ART

The pictures are purely representative. The manufacturer reserves the right to modify the technical data and models without previous notice.

# SA-63

## 60 MAGICLOTUS ACCESSORIES



A	Data plate				
---	------------	--	--	--	--

MODEL:

SA-63

DIMENSIONS:

cm. 30x 1,5x 97h

kg: 3  
m<sup>3</sup>: 0.01  
mm: 320x30x990



BUY LOTUS BUY **ITALY**

The pictures are purely representative. The manufacturer reserves the right to modify the technical data and models without previous notice.



LOTUS S.P.A. Via Calmaor, 46  
31020 San Vendemiano (TV) - Italy  
Tel. + 39 0438 778020 / 778468  
Fax + 39 0438 778277  
www.lotuscookers.it - lotus@lotuscookers.it