

SA-400 EM

SNACK

SALAMANDER

Salamander - Open on the front side, 1 cooking area 1 grid 35x32,5 - 1 GN 2/3 h 20 pan



Construction - Fabricated using CrNi 18/10 AISI 304 grade Stainless Steel Scotch-Brite Satin polish Finish, chromed details. Model - Professional electric salamanders, ideal for gratinating, grilling and warming food. Version open on the front side, with manual or automatic regulation of cooking grid. Maintenance - Easy cleaning by tray at the bottom to collect the fat. Fittings - Supporting feet.

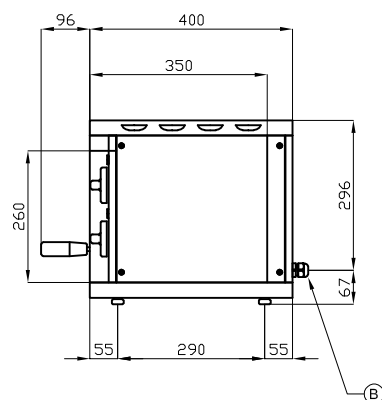


ITALIAN CULINARY ART

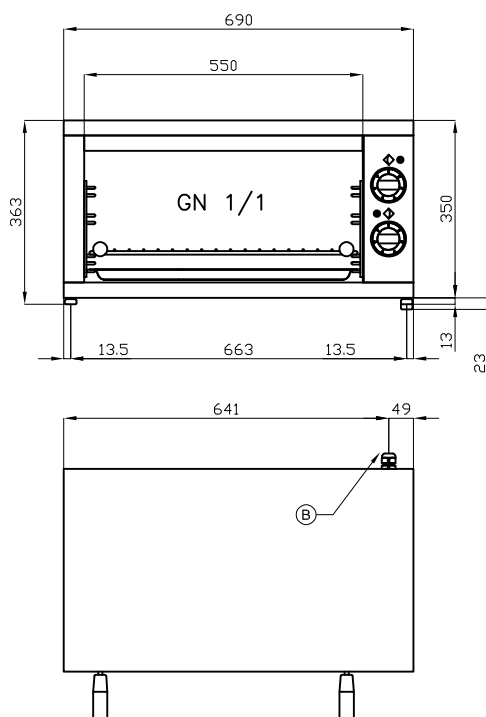
The pictures are purely representative. The manufacturer reserves the right to modify the technical data and models without previous notice.

SA-400 EM

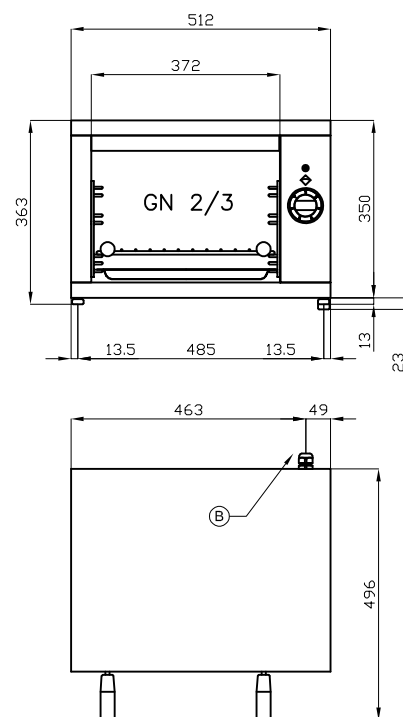
SNACK
SALAMANDER



SA-600

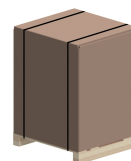


SA-400



A	Data plate		B	Electrical connection	
---	------------	--	---	-----------------------	--

MODEL: SA-400 EM
DIMENSIONS: cm. 51x 40x 36,5h
ELECTRIC POWER: 2 kW
VOLTAGE: 230V~
FREQUENCY: 50/60 Hz



kg: 17
m³: 0.132
mm: 530x480x520

BUY LOTUS BUY ITALY

The pictures are purely representative. The manufacturer reserves the right to modify the technical data and models without previous notice.



LOTUS S.P.A. Via Calmaor, 46
31020 San Vendemiano(TV) - Italy
Tel. + 39 0438 778020 / 778468
Fax + 39 0438 778277
www.lotuscookers.it - lotus@lotuscookers.it