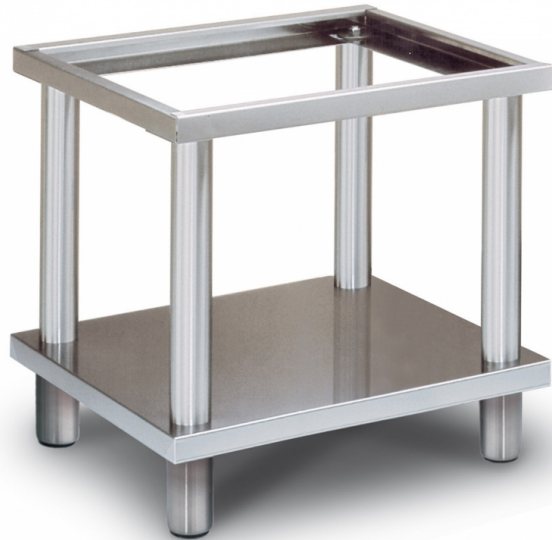


# S-6

## 65 MAGICPROF STAND

Stand



Construction - Fabricated using CrNi 18/10 AISI 304 grade Stainless Steel Scotch-Brite Satin polish Finish, rounded edges. Model - Professional Stand and Worktop Units. Fittings - Appliance is supplied with adjustable feet.

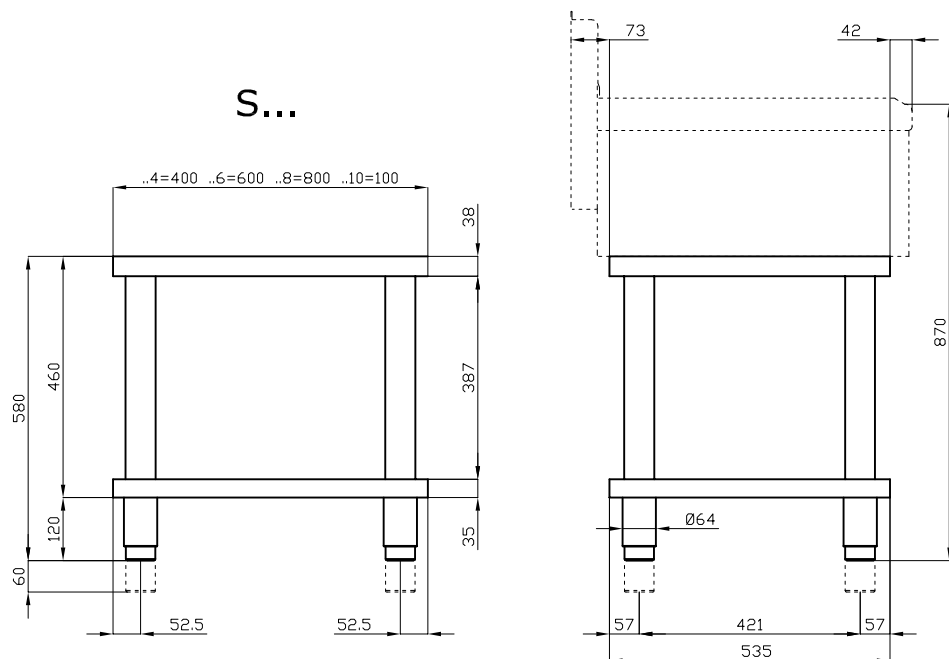


ITALIAN CULINARY ART

The pictures are purely representative. The manufacturer reserves the right to modify the technical data and models without previous notice.

# S-6

## 65 MAGICPROF STAND



A	Data plate				
---	------------	--	--	--	--

MODEL:

S-6

DIMENSIONS:

cm. 60x 53,5x 58h



kg: 23  
m<sup>3</sup>: 0.238  
mm: 630x600x630

BUY LOTUS BUY ITALY

The pictures are purely representative. The manufacturer reserves the right to modify the technical data and models without previous notice.



LOTUS S.P.A. Via Calmaor, 46  
31020 San Vendemiano (TV) - Italy  
Tel. + 39 0438 778020 / 778468  
Fax + 39 0438 778277  
www.lotuscookers.it - lotus@lotuscookers.it