

RVD-62EM

ELECTRIC FREELOTUS ACCESSORIES

Heater cabinet, temp: $30 \pm 90^{\circ}\text{C}$, for
monoblock

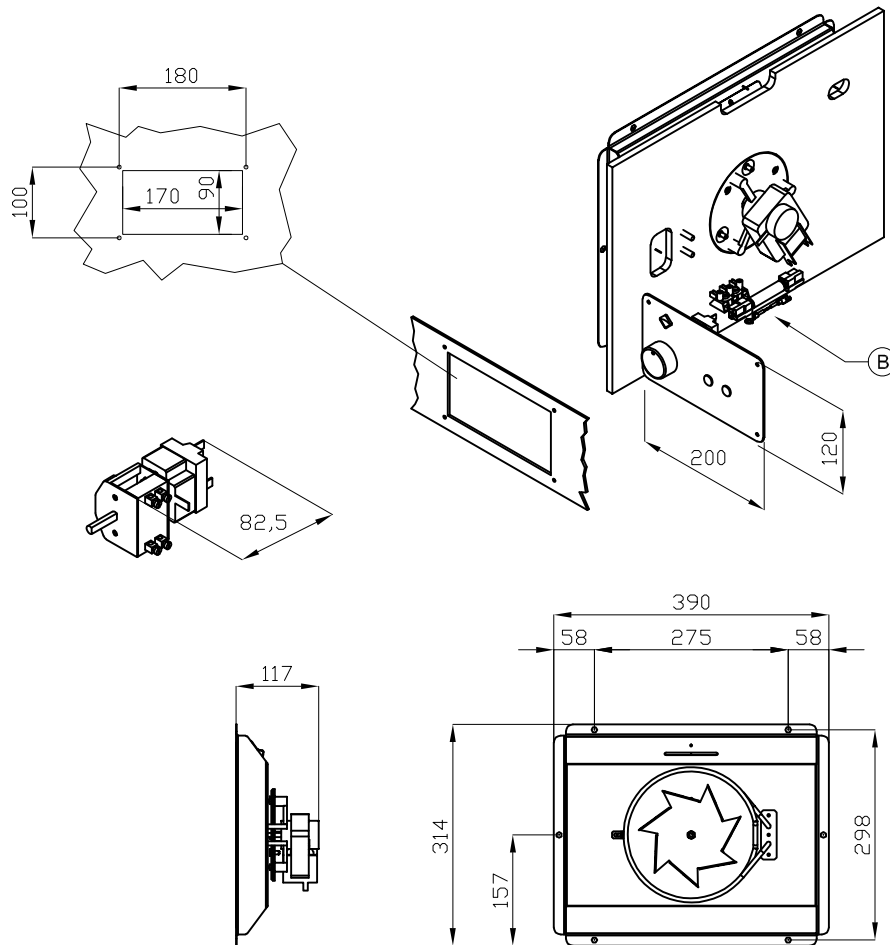


ITALIAN CULINARY ART

The pictures are purely representative. The manufacturer reserves the right to modify the technical data and models without previous notice.

RVD-62EM

ELECTRIC FREELOTUS
ACCESSORIES



A	Data plate		B	Electrical connection	
---	------------	--	---	-----------------------	--

MODEL: RVD-62EM
DIMENSIONS: cm. 20x 50x 35h
ELECTRIC POWER: 1,6 kW
VOLTAGE: 230V~
FREQUENCY: 50/60 Hz

kg: 5
m³: 0.055
mm: 250x550x400



BUY LOTUS BUY ITALY

The pictures are purely representative. The manufacturer reserves the right to modify the technical data and models without previous notice.



LOTUS S.P.A. Via Calmaor, 46
31020 San Vendemiano(TV) - Italy
Tel. + 39 0438 778020 / 778468
Fax + 39 0438 778277
www.lotuscookers.it - lotus@lotuscookers.it