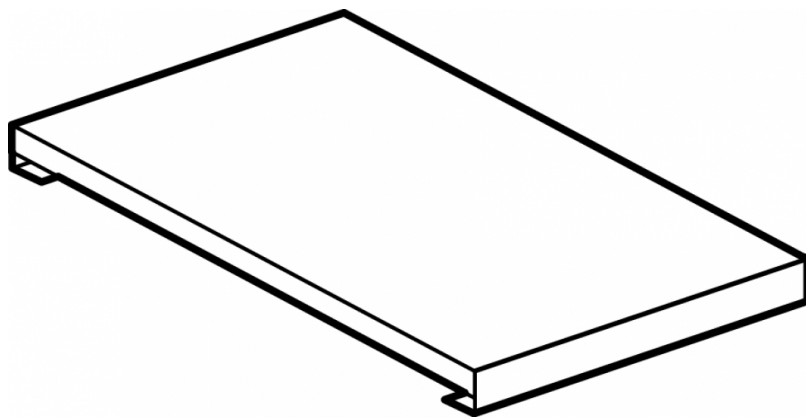


R-8

65 MAGICPROF ACCESSORIES

Shelf 800



ITALIAN CULINARY ART

The pictures are purely representative. The manufacturer reserves the right to modify the technical data and models without previous notice.

R-8

65 MAGICPROF ACCESSORIES

A	Data plate				
---	------------	--	--	--	--

MODEL:

R-8

DIMENSIONS:

cm. 75x 53x 2h



kg: 2.5
m³: 0.017
mm: 770x550x40

BUY LOTUS BUY 

The pictures are purely representative. The manufacturer reserves the right to modify the technical data and models without previous notice.



LOTUS S.P.A. Via Calmaor, 46
31020 San Vendemiano(TV) - Italy
Tel. + 39 0438 778020 / 778468
Fax + 39 0438 778277
www.lotuscookers.it - lotus@lotuscookers.it