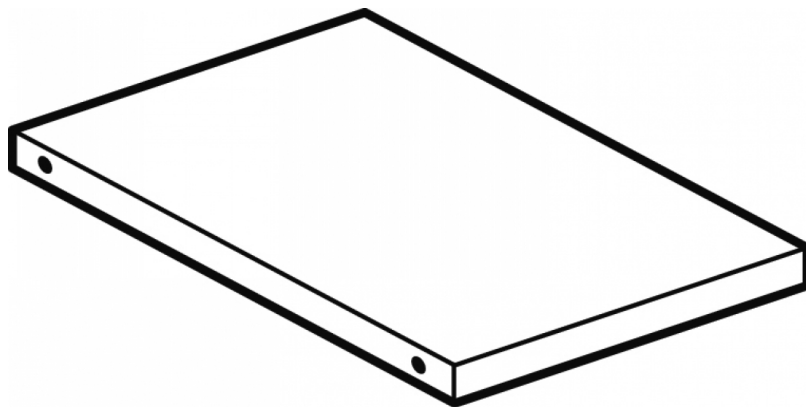


R-52

50 SNACK ACCESSORIES

Shelf



ITALIAN CULINARY ART

The pictures are purely representative. The manufacturer reserves the right to modify the technical data and models without previous notice.

R-52

50 SNACK ACCESSORIES

A	Data plate				
---	------------	--	--	--	--

MODEL: R-52
DIMENSIONS: cm. 56x 39,5x 3h



kg: 2
m³: 0.012
mm: 580x420x50

BUY LOTUS BUY ITALY

The pictures are purely representative. The manufacturer reserves the right to modify the technical data and models without previous notice.



LOTUS S.P.A. Via Calmaor, 46
31020 San Vendemiano(TV) - Italy
Tel. + 39 0438 778020 / 778468
Fax + 39 0438 778277
www.lotuscookers.it - lotus@lotuscookers.it