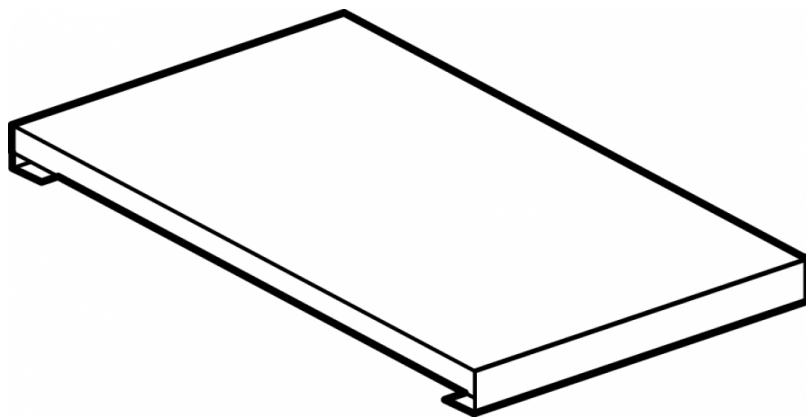


# R-4

## 65 MAGICPROF ACCESSORIES

Shelf 400



ITALIAN CULINARY ART

The pictures are purely representative. The manufacturer reserves the right to modify the technical data and models without previous notice.

# R-4

## 65 MAGICPROF ACCESSORIES

A	Data plate				
---	------------	--	--	--	--

MODEL:

R-4

DIMENSIONS:

cm. 35x 53x 2h



kg: 1.5  
m<sup>3</sup>: 0.008  
mm: 370x550x40

BUY LOTUS BUY **ITALY**

The pictures are purely representative. The manufacturer reserves the right to modify the technical data and models without previous notice.



LOTUS S.P.A. Via Calmaor, 46  
31020 San Vendemiano(TV) - Italy  
Tel. + 39 0438 778020 / 778468  
Fax + 39 0438 778277  
[www.lotuscookers.it](http://www.lotuscookers.it) - [lotus@lotuscookers.it](mailto:lotus@lotuscookers.it)