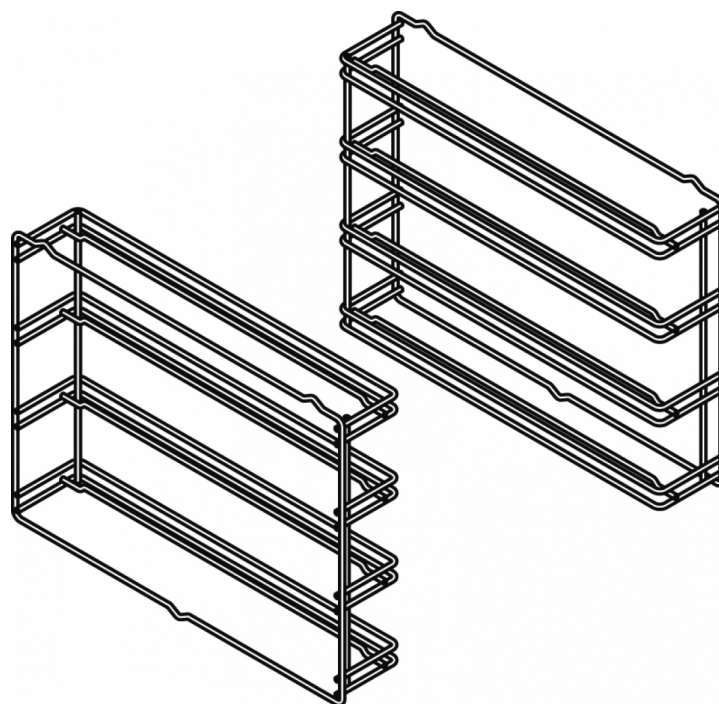


PT2/3-CFM66

60 MAGICLOTUS
ACCESSORIES



Frame for oven plates GN 2/3, for CFM-66



ITALIAN CULINARY ART

The pictures are purely representative. The manufacturer reserves the right to modify the technical data and models without previous notice.

PT2/3-CFM66

60 MAGICLOTUS
ACCESSORIES



A	Data plate				
---	------------	--	--	--	--

MODEL:

PT2/3-CFM66



kg: 5
m³: 0.018
mm: 450x400x100

BUY LOTUS BUY 

The pictures are purely representative. The manufacturer reserves the right to modify the technical data and models without previous notice.



LOTUS S.P.A. Via Calmaor, 46
31020 San Vendemiano(TV) - Italy
Tel. + 39 0438 778020 / 778468
Fax + 39 0438 778277
www.lotuscookers.it - lotus@lotuscookers.it