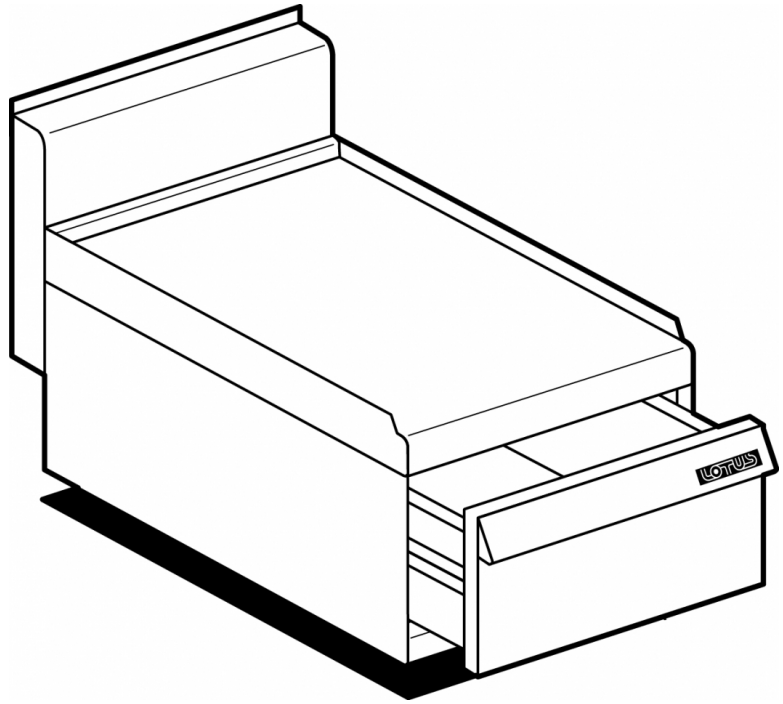


PL-4

65 MAGICPROF WORK TOP - TOP

Worktop - Drawer with 1 plastic container
GN 1/1 15h



Construction - Fabricated using CrNi 18/10 AISI 304 grade Stainless Steel Scotch-Brite Satin polish Finish, incorporating 1mm thick worktop, rounded edges and rear splash back. Model - Professional worktop with drawer. Fittings - Appliance is supplied with steel or plastic tanks, h 15cm. Adjustable feet.

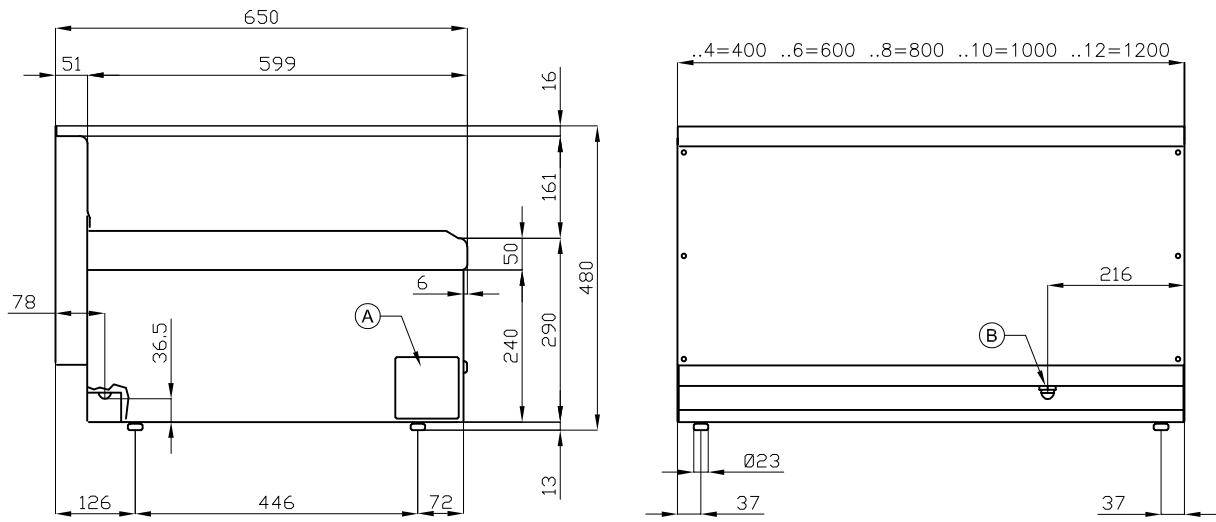


ITALIAN CULINARY ART

The pictures are purely representative. The manufacturer reserves the right to modify the technical data and models without previous notice.

PL-4

65 MAGICPROF WORK TOP - TOP



A	Data plate				
---	------------	--	--	--	--

MODEL:

PL-4

DIMENSIONS:

cm. 40x 65x 29h



kg: 25
m³: 0.181
mm: 430x690x610

BUY LOTUS BUY ITALY

The pictures are purely representative. The manufacturer reserves the right to modify the technical data and models without previous notice.



LOTUS S.P.A. Via Calmaor, 46
31020 San Vendemiano(TV) - Italy
Tel. + 39 0438 778020 / 778468
Fax + 39 0438 778277
www.lotuscookers.it - lotus@lotuscookers.it