

PI150A-98ETT

90 IPERLOTUS TOUCH ELECTRIC KETTLE - TOUCH

Electric indirect boiling pan 135 lts. Tank Ø cm. 60x54h. Touch Screen 4,3", with 10 power levels. "Energy Saving, WiFi and CLOUD". Functions: 2 timer, water loading cold and hot, core probe (OPTIONAL). Automatic water-charge of double jacket (included 1 Head end filler strip mod.TPA-9)



Construction - Fabricated using CrNi 18/10 AISI 304 grade Stainless Steel Scotch-Brite Satin polish Finish, incorporating 2mm thick worktop, rounded edges, chromed details and rear splash back. S/s tanks. Knobs with waterproof grades IPX5 and 4.3" capacitive touch screen. Model - Professional electric boiling pan, with automatic water-charge of double jacket. Available in indirect and autoclave versions. Large cooking tank from 100 to 140 liters. AISI 304 steel tank with AISI 316 bottom. Practical and safe opening and closing system. Each individual element is designed to ensure unique cooking and absolute cleanliness. Display with power regulation from 0 to 10 levels, 2 timers maximum 99 minutes, hot and cold water charge button via solenoid valve. With the OPTIONAL core probe you can activate the menu for controlled core/sous-vide cooking. Standard WiFi and CLOUD, prepared for connection to external "ENERGY SAVING" system. Maintenance - All serviceable parts are accessible by the easy removal of front dashboard. Fittings - Appliance is supplied with adjustable feet.

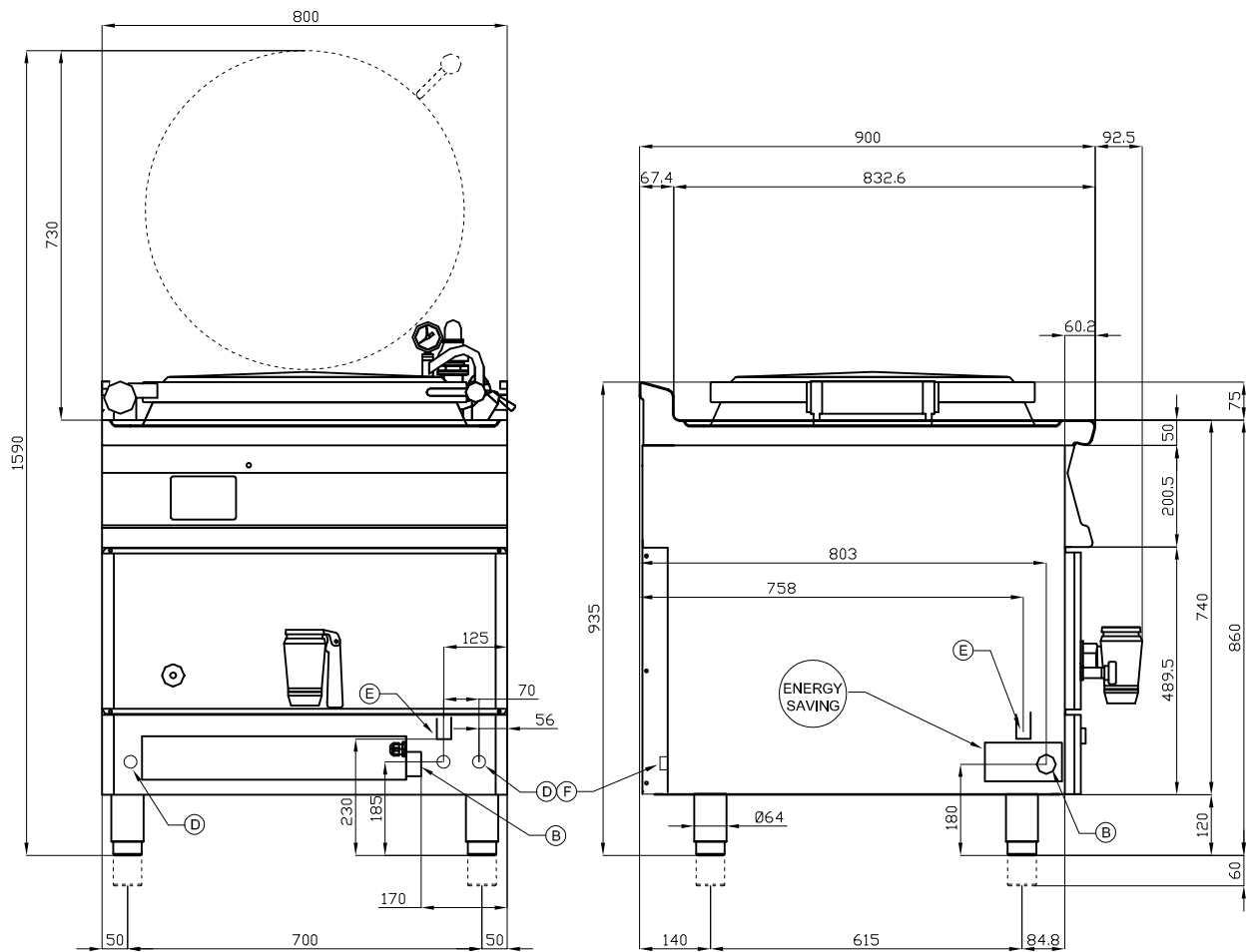


ITALIAN CULINARY ART

The pictures are purely representative. The manufacturer reserves the right to modify the technical data and models without previous notice.

PI150A-98ETT

90 IPERLOTUS TOUCH
ELECTRIC KETTLE - TOUCH



A	Data plate		B	Electrical connection	
D	Cold water connection	ISO 7-1 3/4" M (2x)	E	Water drainage	Ø25mm
F	Hot water connection	ISO 7-1 3/4" M			

MODEL: PI150A-98ETT
 DIMENSIONS: cm. 80x 90x 90h
 ELECTRIC POWER: 18 kW
 VOLTAGE: 400V~3N
 FREQUENCY: 50/60 Hz



kg: 110
 m³: 1.071
 mm: 870x1070x1150

BUY LOTUS BUY ITALY

The pictures are purely representative. The manufacturer reserves the right to modify the technical data and models without previous notice.



LOTUS S.P.A. Via Calmaor, 46
 31020 San Vendemiano(TV) - Italy
 Tel. + 39 0438 778020 / 778468
 Fax + 39 0438 778277
 www.lotuscookers.it - lotus@lotuscookers.it