

PCQD-84ET

ELECTRIC FREELOTUS

ELECTRIC BOILING UNIT 80

Boiling unit threephase - N. 2 square plates



Construction - Fabricated using CrNi 18/10 AISI 304 grade Stainless Steel Scotch-Brite Satin polish Finish, incorporating 2 mm thick worktop, chromed details. Model - Professional Electric Boiling Hob. Cast Iron square hot plates with steel border seals, seven position switch and temperature limiter. Ceramic glass tops with radiant heat hot plates and warning lights for residual heat. Fittings - Fixing system.



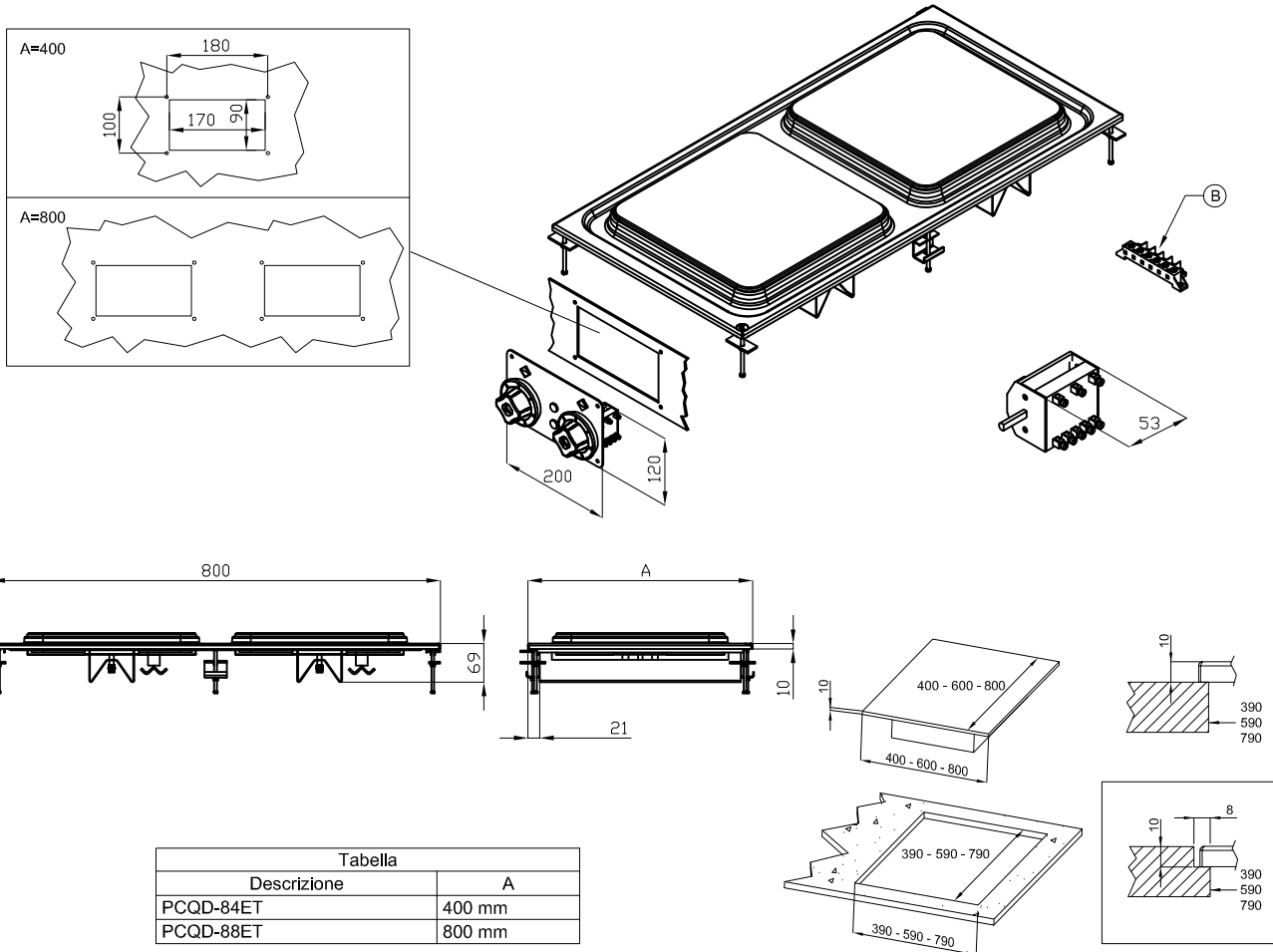
ITALIAN CULINARY ART

The pictures are purely representative. The manufacturer reserves the right to modify the technical data and models without previous notice.

PCQD-84ET

ELECTRIC FREELOTUS

ELECTRIC BOILING UNIT 80



A	Data plate		B	Electrical connection	
---	------------	--	---	-----------------------	--

MODEL: PCQD-84ET
 DIMENSIONS: cm. 40x 80x 5h
 ELECTRIC POWER: 8 kW
 VOLTAGE: 400V~2N / 230V~3 / 230V~
 FREQUENCY: 50/60 Hz



kg: 24
 m³: 0.225
 mm: 430x970x540

BUY LOTUS BUY ITALY

The pictures are purely representative. The manufacturer reserves the right to modify the technical data and models without previous notice.



LOTUS S.P.A. Via Calmaor, 46
 31020 San Vendemiano(TV) - Italy
 Tel. + 39 0438 778020 / 778468
 Fax + 39 0438 778277
 www.lotuscookers.it - lotus@lotuscookers.it