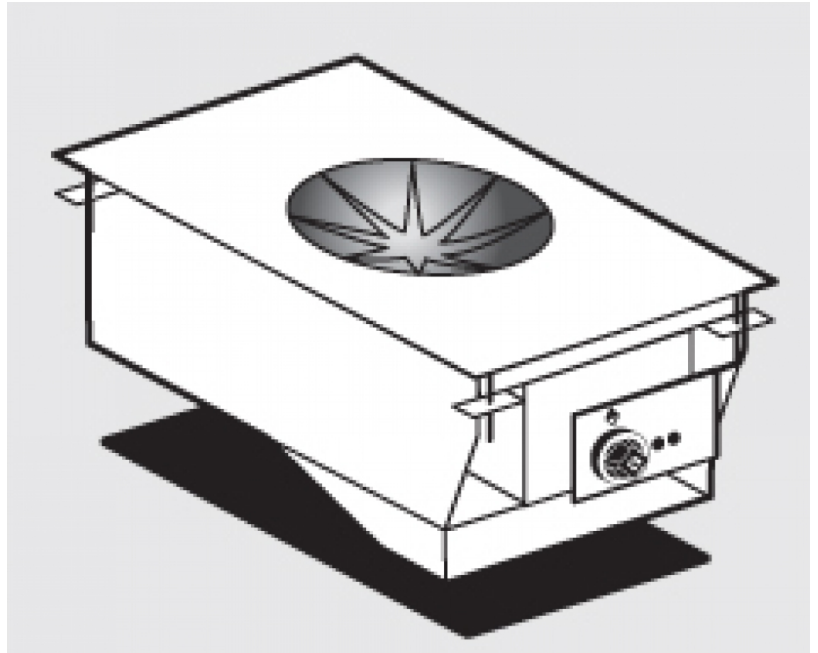


PCIWD-64ET

ELECTRIC FREELOTUS INDUCTION BOILING UNIT 60

Three-phase induction cooking "WOK" - 1 zone - glass Ø 30 cm (do not place on ovens or drawers)



Construction - Fabricated using CrNi 18/10 AISI 304 grade Stainless Steel Scotch-Brite Satin polish Finish, incorporating 2 mm thick worktop, chromed details. Model - Professional Induction cooking or Wok Hob. Ceramic glass top with high output cooking areas, heats only the content of the pan with magnetic steel base. Standard or digital control offers accurate adjustment for delicate to high cooking temperatures. Wok hob suitable for use with steel concave pan. Fittings - Fixing system.

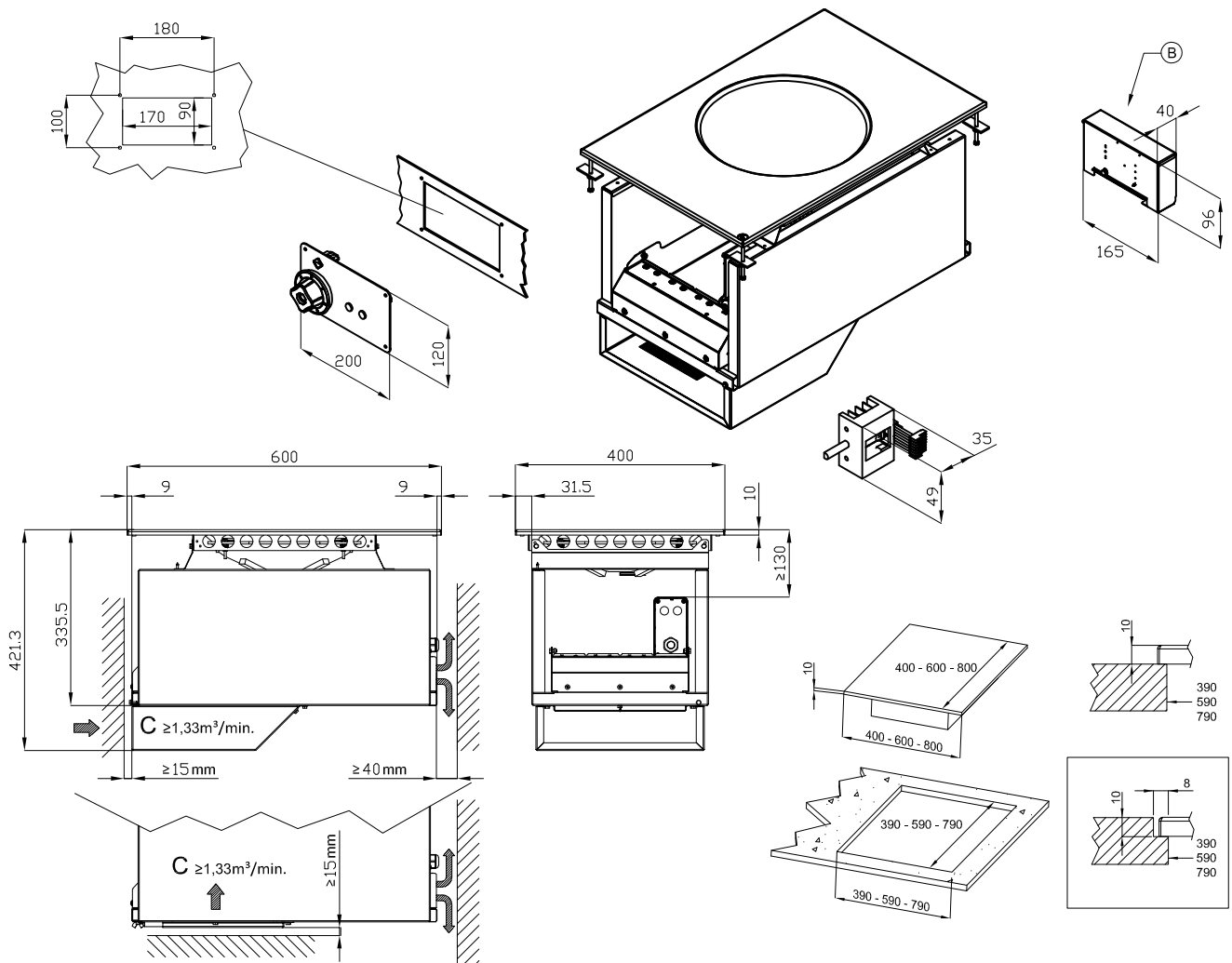


ITALIAN CULINARY ART

The pictures are purely representative. The manufacturer reserves the right to modify the technical data and models without previous notice.

PCIWD-64ET

ELECTRIC FREELOTUS
INDUCTION BOILING UNIT 60



A	Data plate	B	Electrical connection
---	------------	---	-----------------------

MODEL: PCIWD-64ET
 DIMENSIONS: cm. 40x 60x 31h
 ELECTRIC POWER: 4,5 kW
 VOLTAGE: 400V~3
 FREQUENCY: 50/60 Hz



kg: 20
 m³: 0.174
 mm: 470x700x530

BUY LOTUS BUY ITALY

The pictures are purely representative. The manufacturer reserves the right to modify the technical data and models without previous notice.



LOTUS S.P.A. Via Calmaor, 46
 31020 San Vendemiano(TV) - Italy
 Tel. + 39 0438 778020 / 778468
 Fax + 39 0438 778277
 www.lotuscookers.it - lotus@lotuscookers.it