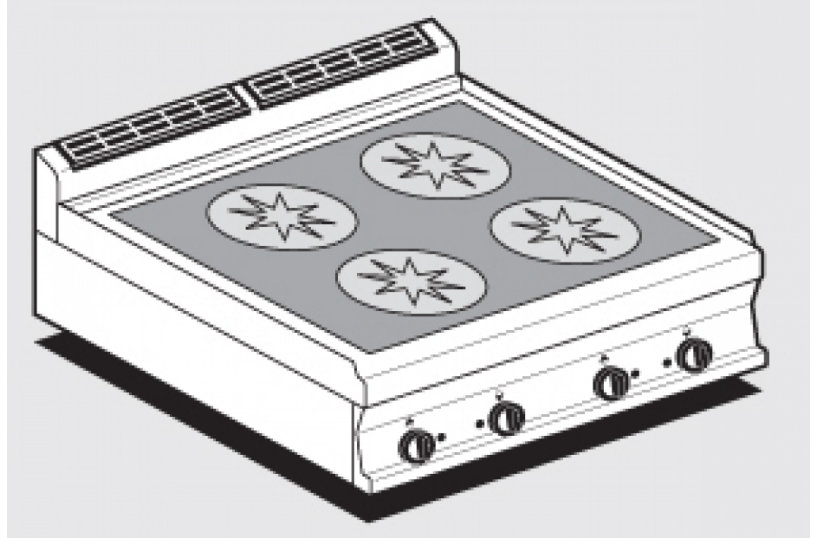


PCIT-78ET

70 SUPERLOTUS TOP INDUCTION BOILING UNIT - TOP

Three-phase induction cooking - 4 zones -
glass cm.75x57 (do not place on ovens or
drawers) (included 1 Head end filler strip
mod.TPA-7)



Construction -Fabricated using CrNi 18/10 AISI 304 grade Stainless Steel
Scotch-Brite Satin polish Finish, incorporating 2 mm thick worktop,
rounded edges, chromed details and rear splash back. Knobs with
waterproof grades IPX5. Model - Professional Induction cooking or Wok
Hob. Ceramic glass top with high output cooking areas, heats only the
content of the pan with magnetic steel base. Standard or digital control
offers accurate adjustment for delicate to high cooking temperatures.
Wok hob suitable for use with steel concave pan. Maintenance - All
serviceable parts are accessible by the easy removal of front control
panel. Fittings - Appliance is supplied with adjustable feet.

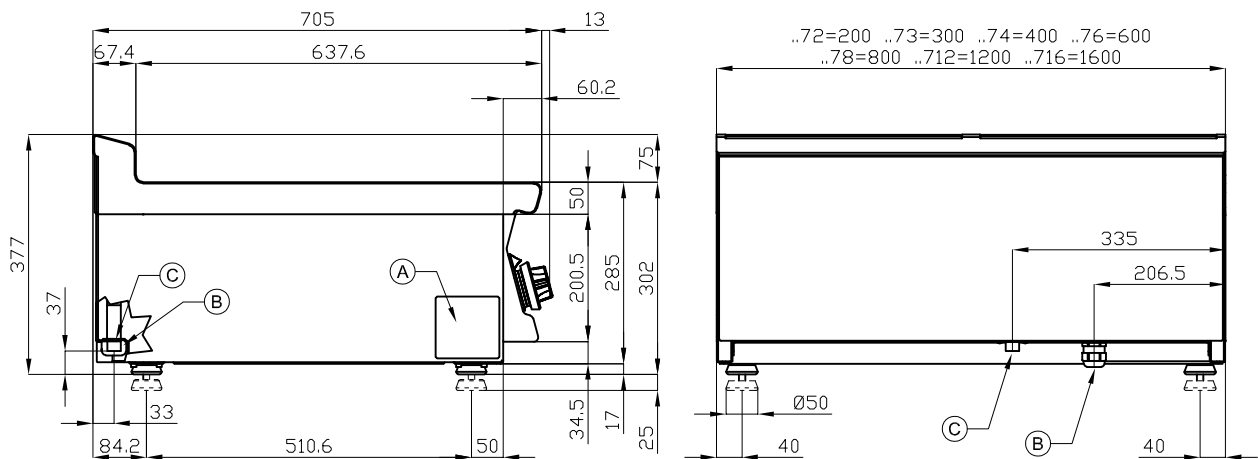


ITALIAN CULINARY ART

The pictures are purely representative. The
manufacturer reserves the right to modify the
technical data and models without previous
notice.

PCIT-78ET

70 SUPERLOTUS TOP INDUCTION BOILING UNIT - TOP



A	Data plate		B	Electrical connection	
---	------------	--	---	-----------------------	--

MODEL: PCIT-78ET
DIMENSIONS: cm. 80x 70,5x 28h
ELECTRIC POWER: 20 kW
VOLTAGE: 400V~3
FREQUENCY: 50/60 Hz



kg: 66
m³: 0.345
mm: 830x770x540

BUY LOTUS BUY **ITALY**

The pictures are purely representative. The manufacturer reserves the right to modify the technical data and models without previous notice.



LOTUS S.P.A. Via Calmaor, 46
 31020 San Vendemiano(TV) - Italy
 Tel. + 39 0438 778020 / 778468
 Fax + 39 0438 778277
 www.lotuscookers.it - lotus@lotuscookers.it