

# PCIT-74ET

## 70 SUPERLOTUS TOP INDUCTION BOILING UNIT - TOP

Three-phase induction cooking - 2 zones -  
glass cm.35x57 (do not place on ovens or  
drawers) (included 1 Head end filler strip  
mod.TPA-7)



Construction -Fabricated using CrNi 18/10 AISI 304 grade Stainless Steel Scotch-Brite Satin polish Finish, incorporating 2 mm thick worktop, rounded edges, chromed details and rear splash back. Knobs with waterproof grades IPX5. Model - Professional Induction cooking or Wok Hob. Ceramic glass top with high output cooking areas, heats only the content of the pan with magnetic steel base. Standard or digital control offers accurate adjustment for delicate to high cooking temperatures. Wok hob suitable for use with steel concave pan. Maintenance - All serviceable parts are accessible by the easy removal of front control panel. Fittings - Appliance is supplied with adjustable feet.

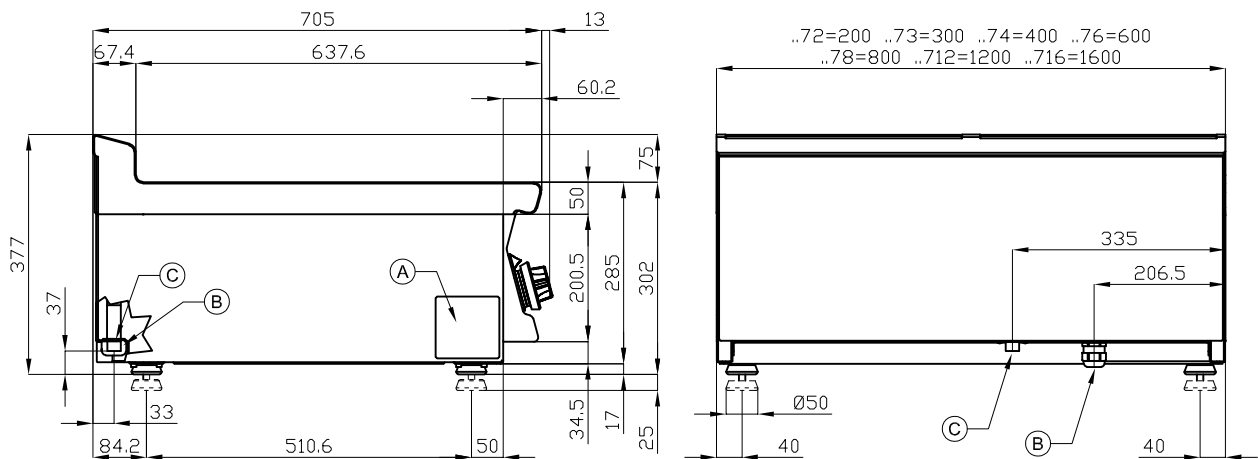


ITALIAN CULINARY ART

The pictures are purely representative. The manufacturer reserves the right to modify the technical data and models without previous notice.

# PCIT-74ET

## 70 SUPERLOTUS TOP INDUCTION BOILING UNIT - TOP



A	Data plate		B	Electrical connection	
---	------------	--	---	-----------------------	--

**MODEL:** PCIT-74ET  
**DIMENSIONS:** cm. 40x 70,5x 28h  
**ELECTRIC POWER:** 10 kW  
**VOLTAGE:** 400V~3  
**FREQUENCY:** 50/60 Hz



**kg:** 34  
**m<sup>3</sup>:** 0.179  
**mm:** 430x770x540

BUY LOTUS BUY **ITALY**

The pictures are purely representative. The manufacturer reserves the right to modify the technical data and models without previous notice.



LOTUS S.P.A. Via Calmaor, 46  
 31020 San Vendemiano(TV) - Italy  
 Tel. + 39 0438 778020 / 778468  
 Fax + 39 0438 778277  
 www.lotuscookers.it - lotus@lotuscookers.it