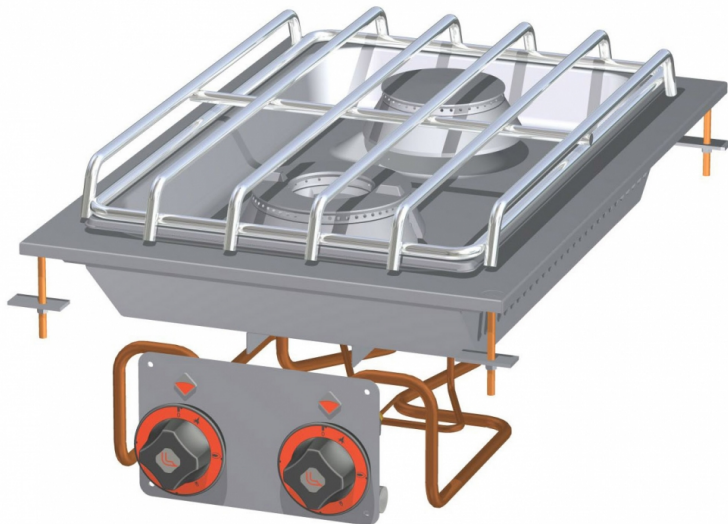


# PCD-64G

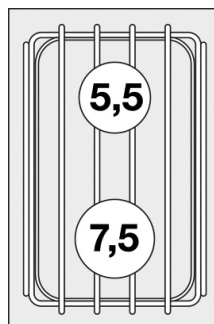
GAS FREELOTUS

GAS BOILING UNIT 60

Gas heated boiling - 2 burners



Construction - Fabricated using CrNi 18/10 AISI 304 grade Stainless Steel Scotch-Brite Satin polish Finish, incorporating 2 mm thick worktop, chromed details. Model - Professional Gas Boiling Hob. Burners with pilot light ignition and thermocouple safety valve. Modulating flame burners, grills in stainless steel rods or cast iron, removable liquid collectors. Maintenance - Easy removal of liquid collectors. Fittings - Appliance is supplied with both LPG and Natural Gas conversion jets. Fixing system.



ITALIAN CULINARY ART

The pictures are purely representative. The manufacturer reserves the right to modify the technical data and models without previous notice.

# PCD-64G

## GAS FREELOTUS GAS BOILING UNIT 60

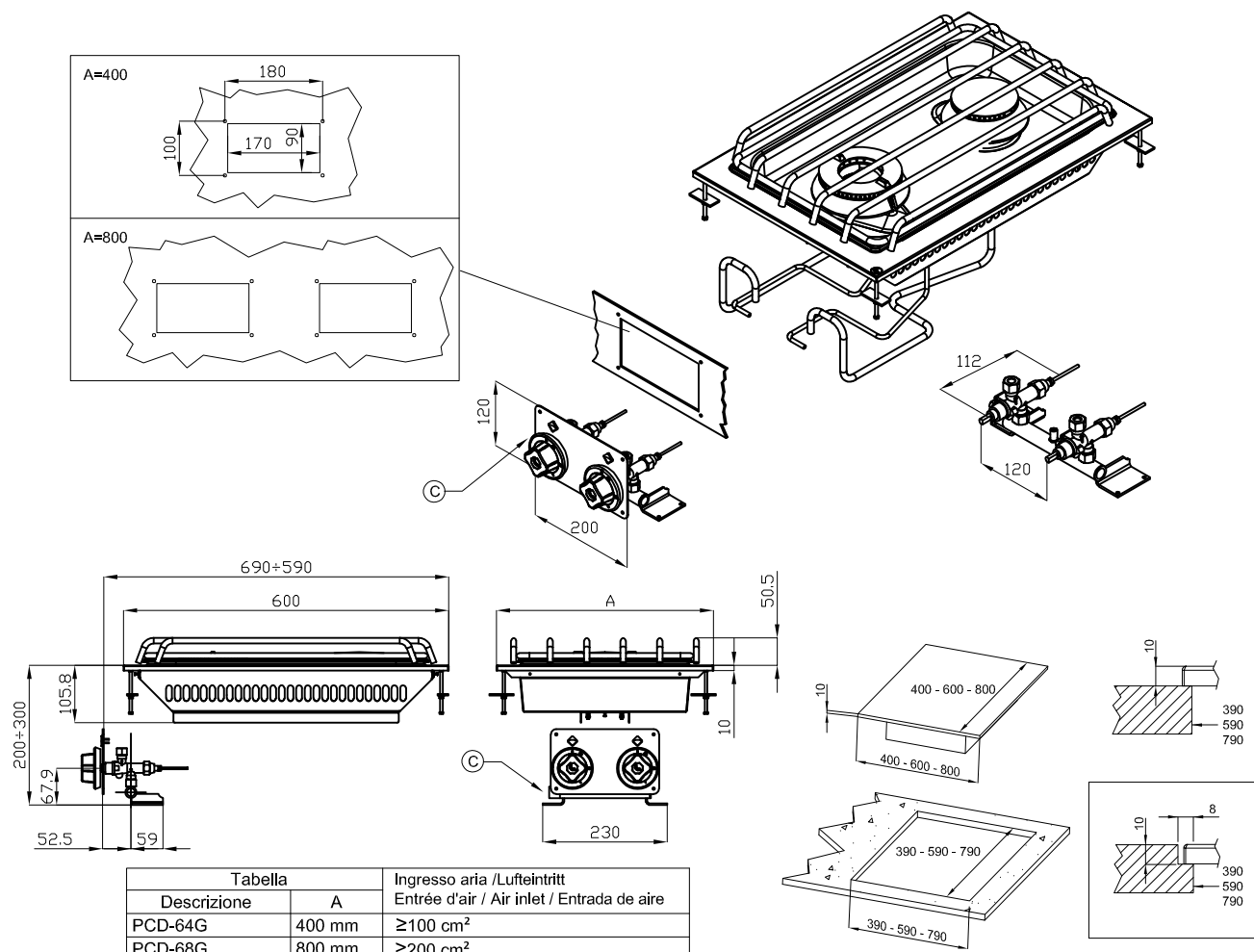
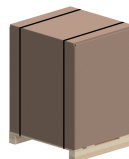


Tabella		Ingresso aria /Lufteintritt Entrée d'air / Air inlet / Entrada de aire
Descrizione	A	
PCD-64G	400 mm	≥100 cm <sup>2</sup>
PCD-68G	800 mm	≥200 cm <sup>2</sup>

A	Data plate		C	Gas connection	ISO 7-1 1/2" M
---	------------	--	---	----------------	----------------

MODEL: PCD-64G  
 DIMENSIONS: cm. 40x 60x 11h  
 GAS POWER: 13 kW / 11.180 kcal/h  
 GAS TYPE: Natural Gas / LPG

kg: 20  
 m<sup>3</sup>: 0.174  
 mm: 470x700x530



BUY LOTUS BUY ITALY

The pictures are purely representative. The manufacturer reserves the right to modify the technical data and models without previous notice.



LOTUS S.P.A. Via Calmaor, 46  
 31020 San Vendemiano (TV) - Italy  
 Tel. + 39 0438 778020 / 778468  
 Fax + 39 0438 778277  
 www.lotuscookers.it - lotus@lotuscookers.it