

PCCD-68ET

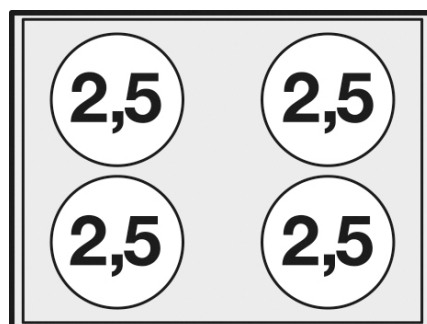
ELECTRIC FREELOTUS

ELECTRIC BOILING UNIT 60

Ceramic glass boiling unit - n. 4 zones - glass
cm.75x57



Construction - Fabricated using CrNi 18/10 AISI 304 grade Stainless Steel Scotch-Brite Satin polish Finish, incorporating 2 mm thick worktop, chromed details. Model - Professional Electric Boiling Hob. Cast Iron square or round hot plates with steel border seals, seven position switch and temperature limiter. Ceramic glass tops with radiant heat hot plates and warning lights for residual heat. Fittings - Fixing system.



ITALIAN CULINARY ART

The pictures are purely representative. The manufacturer reserves the right to modify the technical data and models without previous notice.

PCCD-68ET

ELECTRIC FREELOTUS

ELECTRIC BOILING UNIT 60

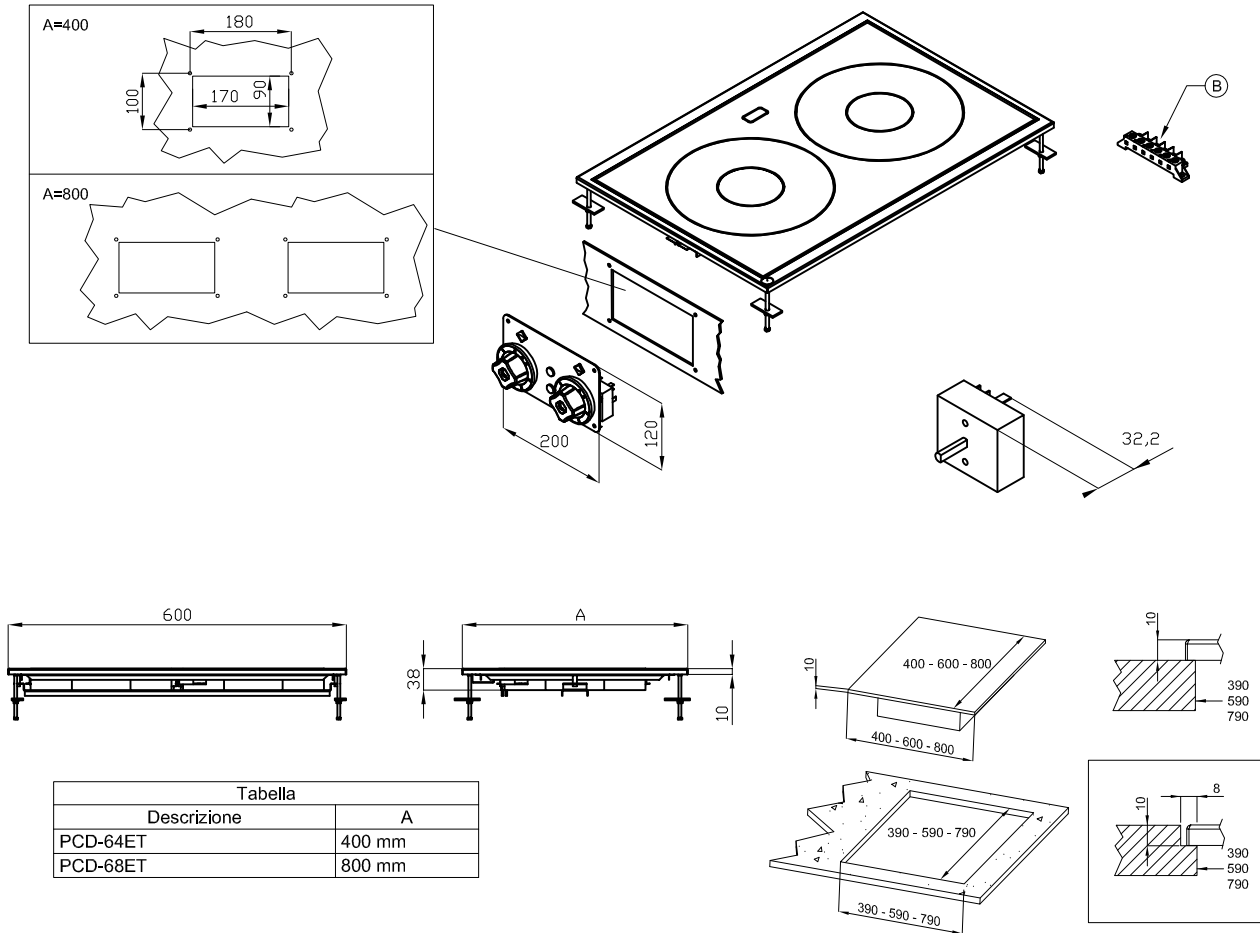


Tabella	
Descrizione	A
PCD-64ET	400 mm
PCD-68ET	800 mm

A	Data plate		B	Electrical connection	
---	------------	--	---	-----------------------	--

MODEL: PCCD-68ET
DIMENSIONS: cm. 80x 60x 5h
ELECTRIC POWER: 10 kW
VOLTAGE: 400V~3N / 230V~3
FREQUENCY: 50/60 Hz



kg: 40
m³: 0.32
mm: 1080x630x470

BUY LOTUS BUY ITALY

The pictures are purely representative. The manufacturer reserves the right to modify the technical data and models without previous notice.



LOTUS S.P.A. Via Calmaor, 46
 31020 San Vendemiano(TV) - Italy
 Tel. + 39 0438 778020 / 778468
 Fax + 39 0438 778277
 www.lotuscookers.it - lotus@lotuscookers.it