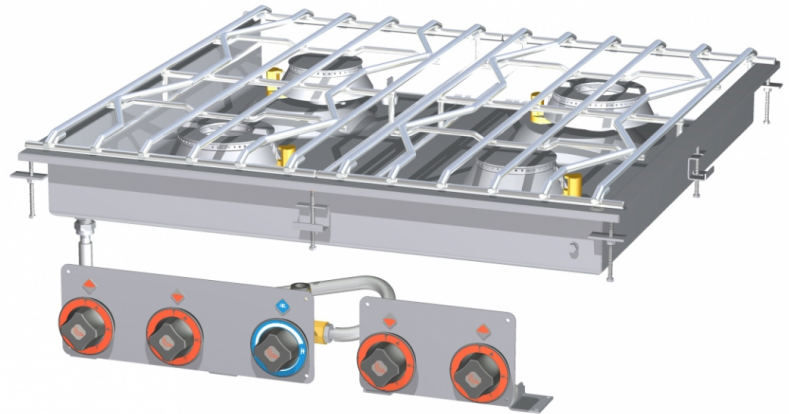


PCAD-88G

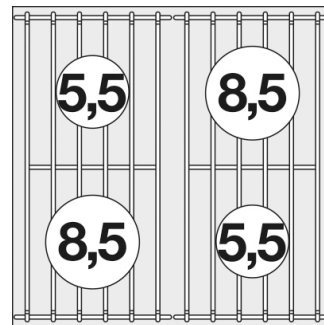
GAS FREELOTUS

GAS WATER FED BOILING UNIT

water heated boiling unit 4 burners - Water loading tap + overflow device



Construction - Fabricated using CrNi 18/10 AISI 304 grade Stainless Steel Scotch-Brite Satin polish Finish, incorporating 2 mm thick worktop, rounded edges, chromed details. Model - Professional Gas, Water fed Cooker. Burner pilot light ignition, taps with thermocouple safety valve. Modulating flame burners, grills in stainless steel rods. Water tank or mains fed options with overflow valve. Fittings - Appliance is supplied with both LPG and Natural Gas conversion jets. Fixing system.



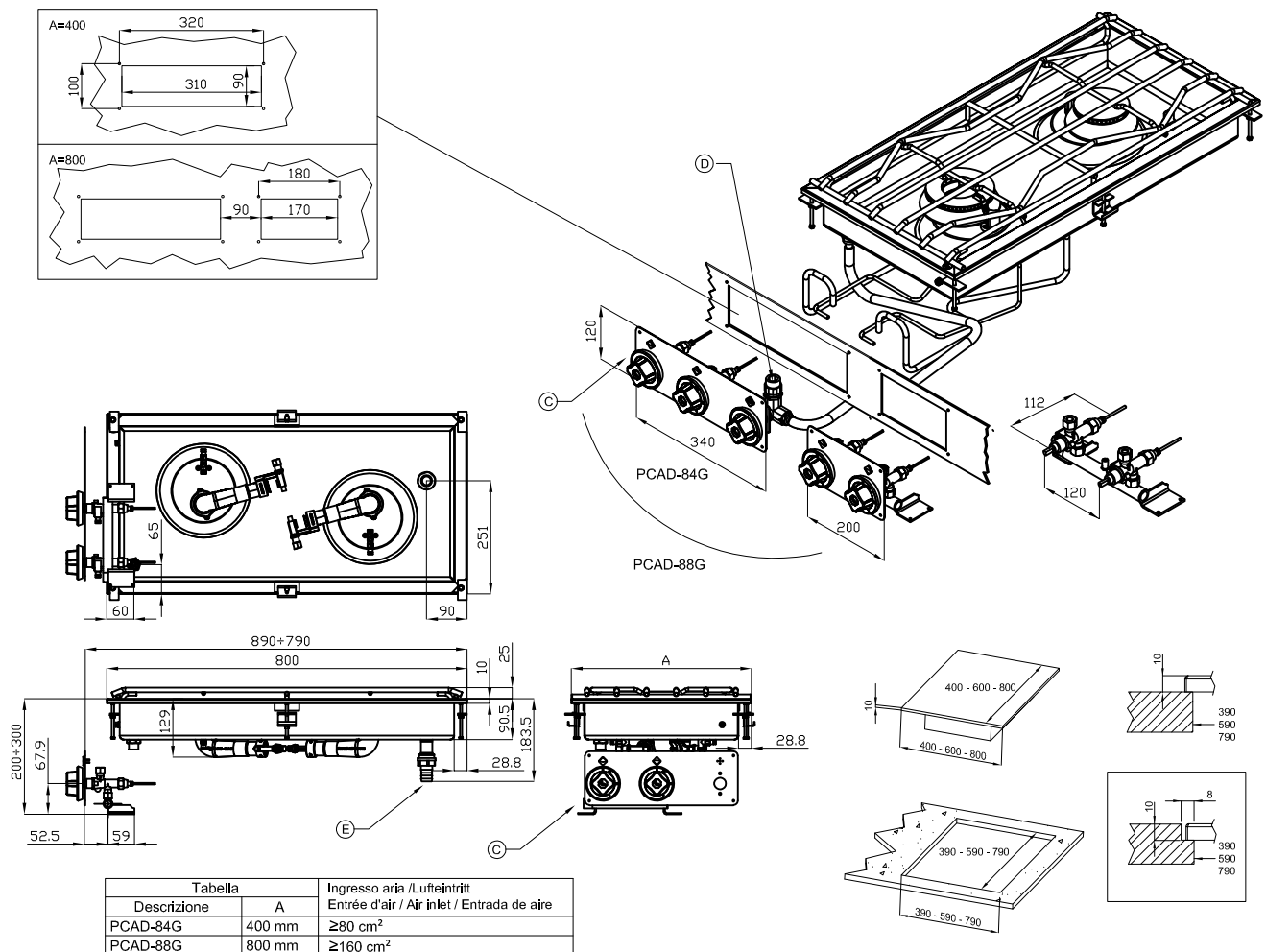
ITALIAN CULINARY ART

The pictures are purely representative. The manufacturer reserves the right to modify the technical data and models without previous notice.

PCAD-88G

GAS FREELOTUS

GAS WATER FED BOILING UNIT



| | | | | | |
|---|-----------------------|----------------|---|----------------|----------------|
| A | Data plate | | C | Gas connection | ISO 7-1 1/2" M |
| D | Cold water connection | ISO 7-1 3/4" M | E | Water drainage | Ø25mm |

MODEL: PCAD-88G
 DIMENSIONS: cm. 80x 80x 12h
 GAS POWER: 28 kW / 24.080 kcal/h
 GAS TYPE: Natural Gas / LPG



kg: 75
 m³: 0.435
 mm: 830x970x540

BUY LOTUS BUY ITALY

The pictures are purely representative. The manufacturer reserves the right to modify the technical data and models without previous notice.



LOTUS S.P.A. Via Calmaor, 46
 31020 San Vendemiano(TV) - Italy
 Tel. + 39 0438 778020 / 778468
 Fax + 39 0438 778277
 www.lotuscookers.it - lotus@lotuscookers.it