

# PAT-78G

## 70 SUPERLOTUS TOP GAS BOILING UNIT "PAELLERO" - TOP

"PAELLERO" Gas (included 1 Head end filler strip mod.TPA-7)



Construction - Fabricated using CrNi 18/10 AISI 304 grade Stainless Steel Scotch-Brite Satin polish Finish, incorporating 2 mm thick worktop, rounded edges, chromed details and rear splash back. Knobs with waterproof grades IPX5. Model - Professional "Paellero" Gas Hob for large Paella cooking. Burner with pilot light ignition and thermocouple safety valves. Modulating flame burners, grill in stainless steel rods, removable liquid collector. Maintenance - All serviceable parts are accessible by the easy removal of front control panel and liquid collector. Fittings - Appliance is supplied with both LPG and Natural Gas conversion jets and adjustable feet.

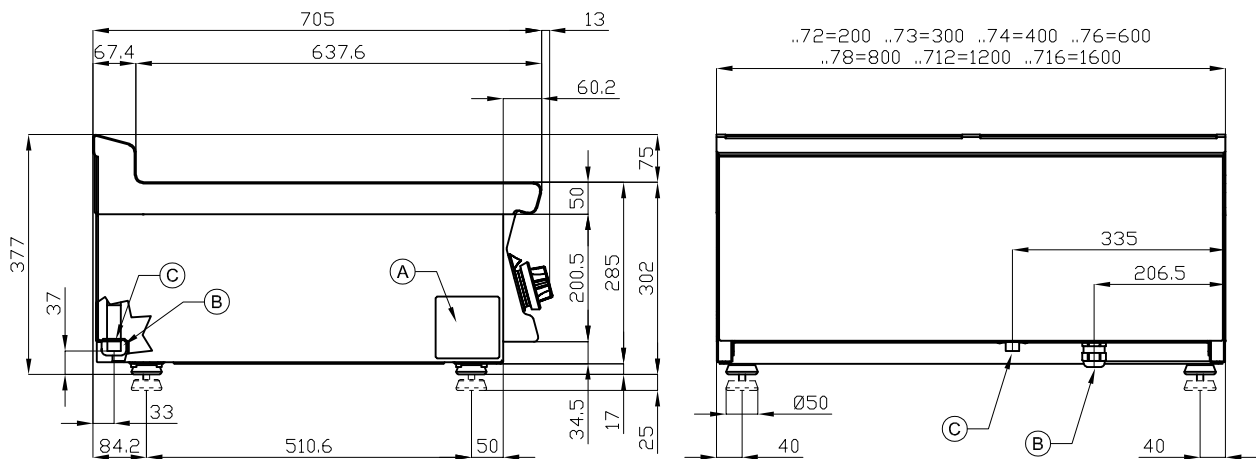


ITALIAN CULINARY ART

The pictures are purely representative. The manufacturer reserves the right to modify the technical data and models without previous notice.

# PAT-78G

## 70 SUPERLOTUS TOP GAS BOILING UNIT "PAELLERO" - TOP



A	Data plate		C	Gas connection	ISO 7-1 3/4" M
---	------------	--	---	----------------	----------------

**MODEL:** PAT-78G  
**DIMENSIONS:** cm. 80x 70,5x 28h  
**GAS POWER:** 11,5 kW / 9.890 kcal/h  
**GAS TYPE:** Natural Gas / LPG



**kg:** 127  
**m<sup>3</sup>:** 0.345  
**mm:** 830x770x540

BUY LOTUS BUY **ITALY**

The pictures are purely representative. The manufacturer reserves the right to modify the technical data and models without previous notice.



LOTUS S.P.A. Via Calmaor, 46  
 31020 San Vendemiano(TV) - Italy  
 Tel. + 39 0438 778020 / 778468  
 Fax + 39 0438 778277  
 www.lotuscookers.it - lotus@lotuscookers.it