

PAF-98G

90

GAS BOILING UNIT "PAELLERO"

"PAELLERO" Gas on Traditional gas-oven cm. 67x73x34h, temp: 150÷300°C, with 1 grid cm.65x71 GN2/1 (included 1 Head end filler strip mod.TPC-9)



Construction -Fabricated using CrNi 18/10 AISI 304 grade Stainless Steel Scotch-Brite Satin polish Finish, incorporating 2mm thick worktop, rounded edges, chromed details and rear splash back. Knobs with waterproof grades IPX5. Model - Professional "Paellero" Gas Hob for large Paella cooking, on open cabinet. Burner with pilot light ignition and thermocouple safety valves. Modulating flame burners, grill in stainless steel rods, removable liquid collector. Model with static oven has piezoelectric ignition with 150 -300degC control, thermocouple safety valves. Maintenance - All serviceable parts are accessible by the easy removal of front control panel and liquid collector. Fittings - Appliance is supplied with both LPG and Natural Gas conversion jets and adjustable feet. Doors not included.



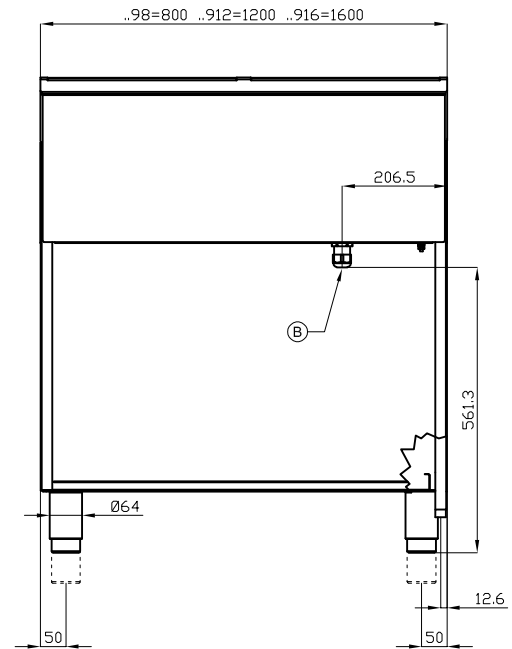
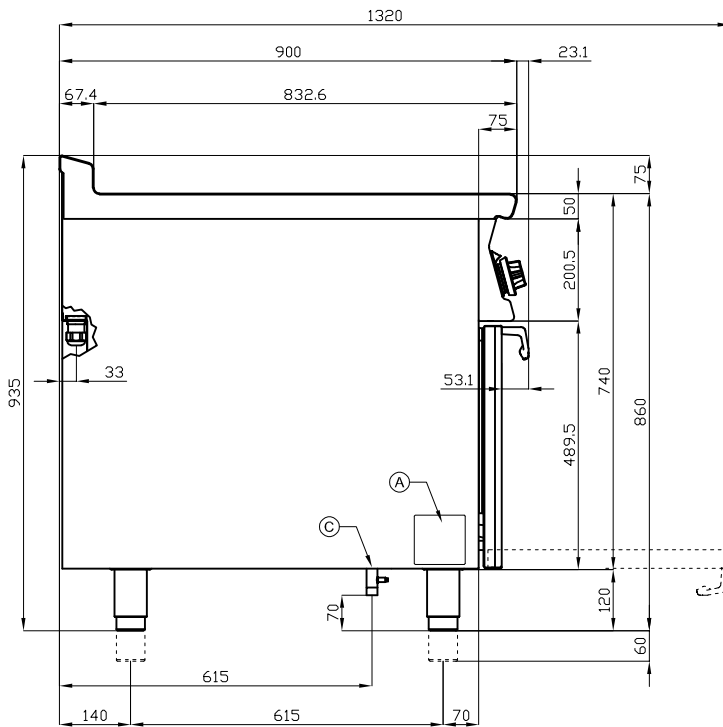
ITALIAN CULINARY ART

The pictures are purely representative. The manufacturer reserves the right to modify the technical data and models without previous notice.

PAF-98G

90

GAS BOILING UNIT "PAELLERO"



A	Data plate		C	Gas connection	ISO 7-1 3/4" M
---	------------	--	---	----------------	----------------

MODEL: PAF-98G
 DIMENSIONS: cm. 80x 90x 90h
 GAS POWER: 35,2 kW / 30.272 kcal/h
 GAS TYPE: Natural Gas / LPG



kg: 184
 m³: 0.894
 mm: 830x970x1110

BUY LOTUS BUY ITALY

The pictures are purely representative. The manufacturer reserves the right to modify the technical data and models without previous notice.



LOTUS S.P.A. Via Calmaor, 46
 31020 San Vendemiano(TV) - Italy
 Tel. + 39 0438 778020 / 778468
 Fax + 39 0438 778277
 www.lotuscookers.it - lotus@lotuscookers.it