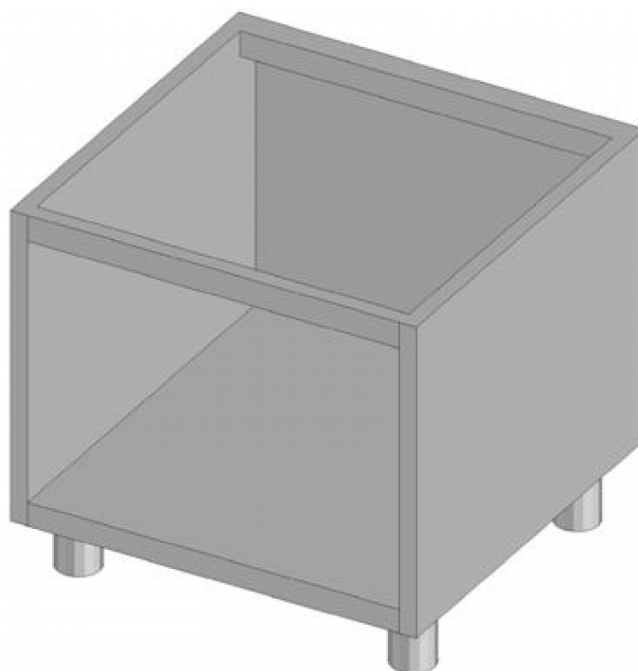


M-60

FRYERS

CONFECTIONER'S ACCESSORIES

Open base unit



ITALIAN CULINARY ART

The pictures are purely representative. The manufacturer reserves the right to modify the technical data and models without previous notice.

M-60

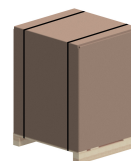
FRYERS

CONFECTIONER'S ACCESSORIES

A	Data plate				
---	------------	--	--	--	--

MODEL: M-60

DIMENSIONS: cm. 60x 58,5x 60h



kg: 18
m³: 0.265
mm: 630x690x610

BUY LOTUS BUY ITALY

The pictures are purely representative. The manufacturer reserves the right to modify the technical data and models without previous notice.



LOTUS S.P.A. Via Calmaor, 46
31020 San Vendemiano(TV) - Italy
Tel. + 39 0438 778020 / 778468
Fax + 39 0438 778277
www.lotuscookers.it - lotus@lotuscookers.it