


DESCRIPTION

	Capacity: 8 x 60x40
	Trays insertion: Crosswise
	Dimensions: 875 x 706 x 934 mm
	Distance between trays: 75 mm
	Control panel: analogic
	Cooking chamber heating: Electric

WORKING MODES

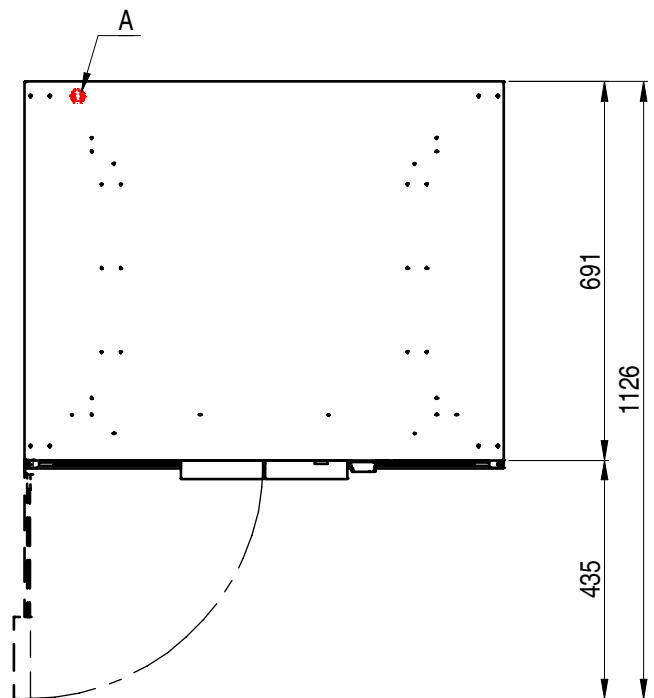
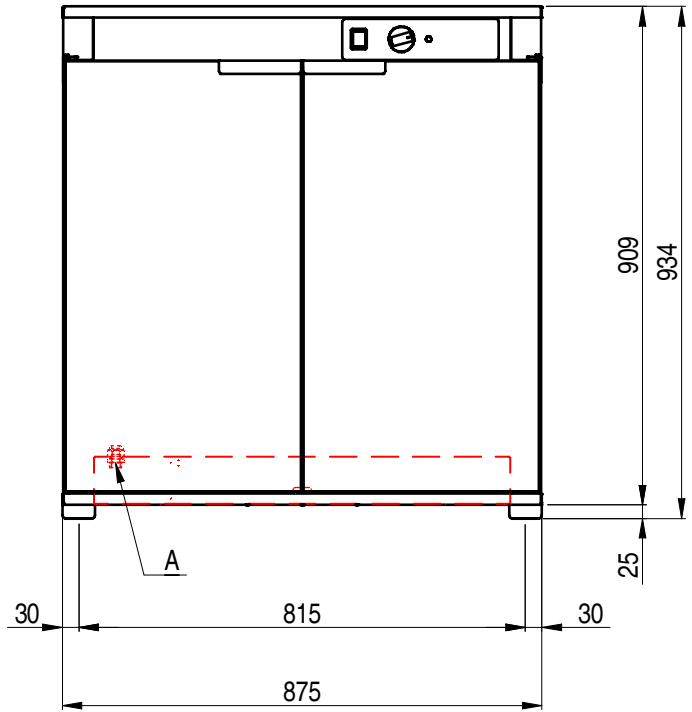
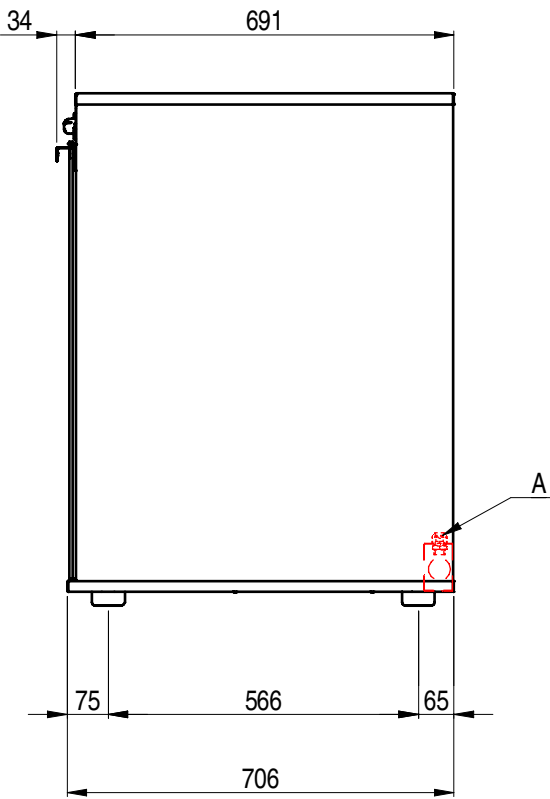
	Temperature control	Temperature range between 30 °C and 60 °C
--	----------------------------	---

CONTROL PANEL DESCRIPTION

A	ON-OFF button	
B	Chamber thermostat. Range 30 - 60 °C	
C	Pilot light chamber heating ON	

POWER SUPPLY

Model	LS-608E
Power loading	2.0 kW
Voltage	220 - 240 V 1N ~ 50/60 Hz
Absorbed current	8.7 A
Feed cable section	n° 3 x 1.5 mm ² (included)
Capacity	8 x 60x40



A Electrical cables connection