


DESCRIPTION

	Capacity: 8 x GN 2/3 - 46x34
	Trays insertion: Crosswise
	Dimensions: 585 x 585 x 934 mm
	Distance between trays: 75 mm
	Control panel: analogic
	Cooking chamber heating: Electric

WORKING MODES

	Temperature control	Temperature range between 30 °C and 60 °C
--	----------------------------	---

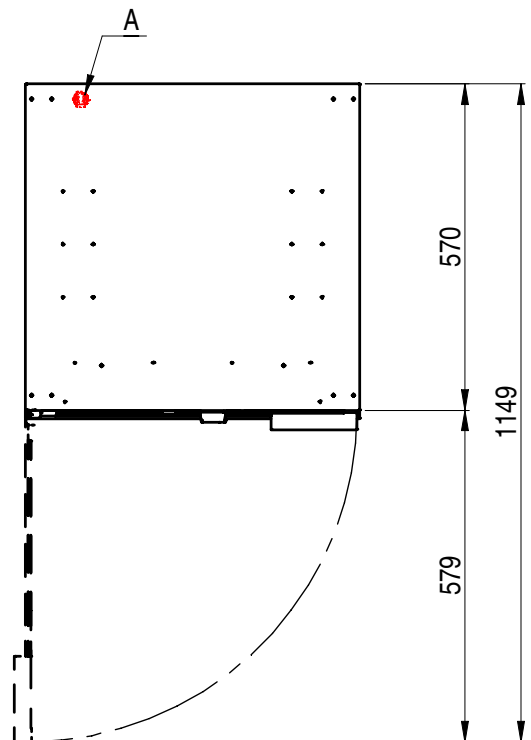
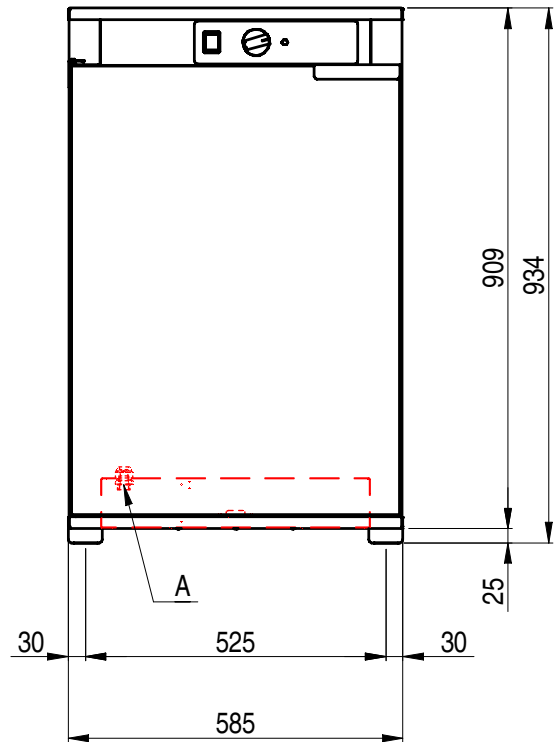
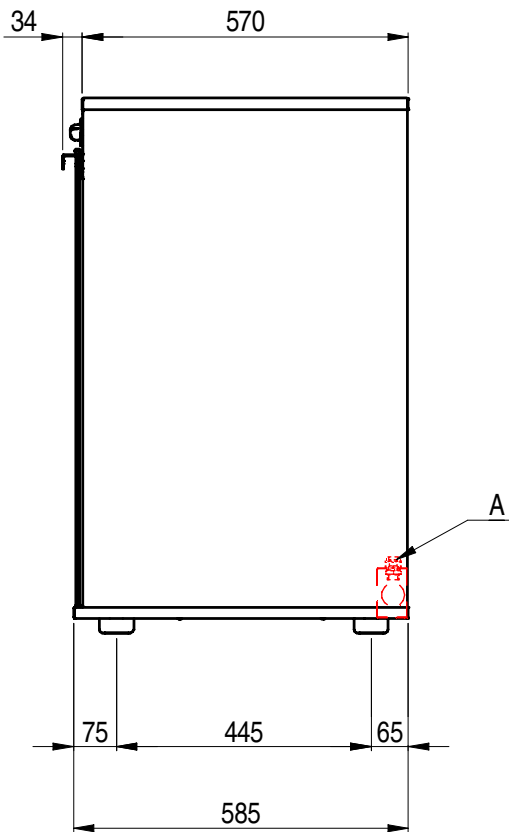
CONTROL PANEL DESCRIPTION

A	ON-OFF button	
B	Chamber thermostat. Range 30 - 60 °C	
C	Pilot light chamber heating ON	

POWER SUPPLY

Model	LS-408E
Power loading	1.5 kW
Voltage	220 - 240 V 1N ~ 50/60 Hz
Absorbed current	6.5 A
Feed cable section	n° 3 x 1.5 mm ² (included)
Capacity	8 x GN 2/3 - 46x34

LS-408E



A Electrical cables connection