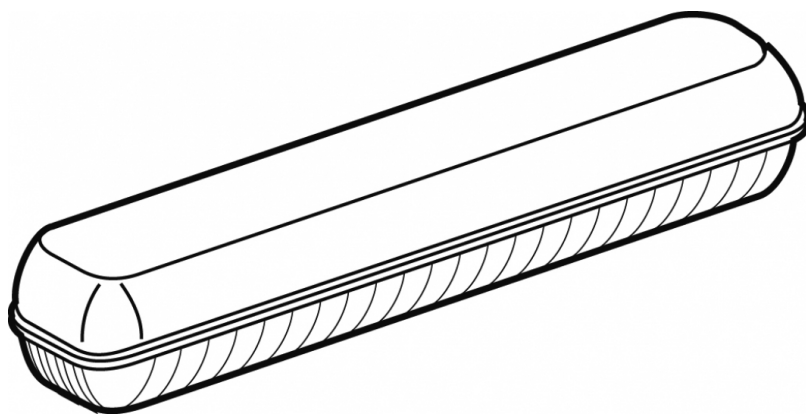


# LC24/30

EXTRACTOR HOODS

HOODS ACCESSORIES K

LED Light for hood mod. K&KE



ITALIAN CULINARY ART

The pictures are purely representative. The manufacturer reserves the right to modify the technical data and models without previous notice.

# LC24/30

EXTRACTOR HOODS

HOODS ACCESSORIES K

A	Data plate		B	Electrical connection	
---	------------	--	---	-----------------------	--

MODEL: LC24/30  
DIMENSIONS: cm. 157  
ELECTRIC POWER: 0,03 KW  
VOLTAGE: 230V~  
FREQUENCY: 50/60 Hz



kg: 4  
m<sup>3</sup>: 0.023  
mm: 1500x100x150

BUY LOTUS BUY 

The pictures are purely representative. The manufacturer reserves the right to modify the technical data and models without previous notice.



LOTUS S.P.A. Via Calmaor, 46  
31020 San Vendemiano(TV) - Italy  
Tel. + 39 0438 778020 / 778468  
Fax + 39 0438 778277  
[www.lotuscookers.it](http://www.lotuscookers.it) - [lotus@lotuscookers.it](mailto:lotus@lotuscookers.it)