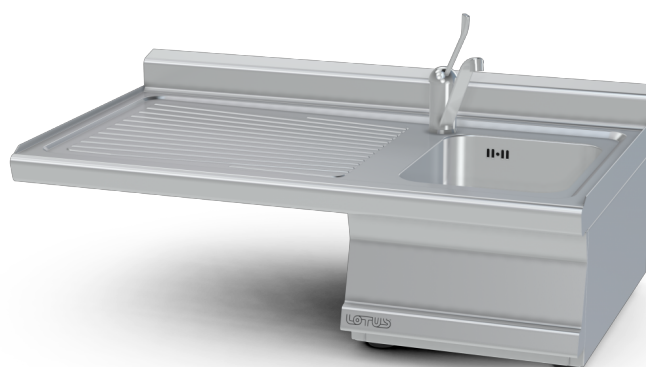


LAT-610DX

60 MAGICLOTUS
SINK UNIT - TOP



Sink unit - R/h Bowl cm 29x35x14h - L/h
Draining board cm 60 Suitable for
dishwasher - Lever type tap.



Construction - Fabricated using CrNi 18/10 AISI 304 grade Stainless Steel Scotch-Brite Satin polish Finish, incorporating 1mm thick worktop, rounded edges, chromed details and rear splash back. Model - Professional Sinks with Lever arm Tap for hygiene standards. Sinks with 1 or 2 bowls and suitable for dishwasher. Fittings - Appliance is supplied with adjustable feet.



ITALIAN CULINARY ART

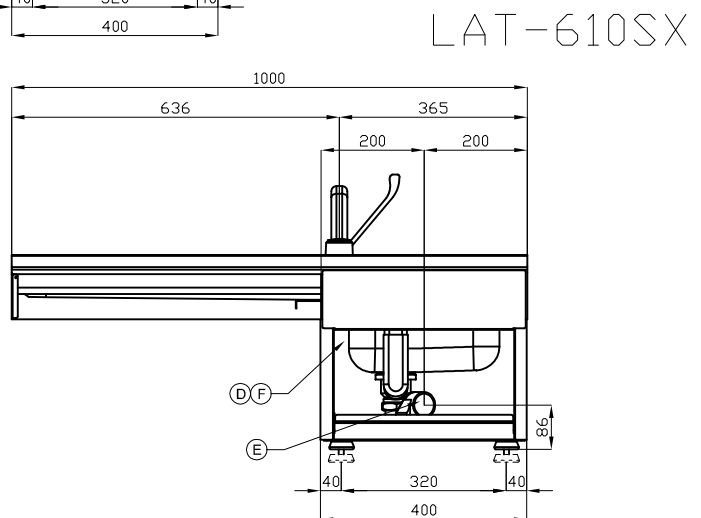
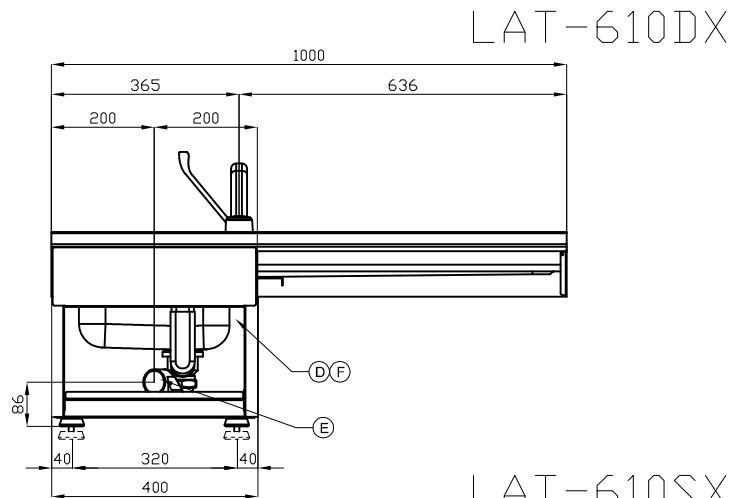
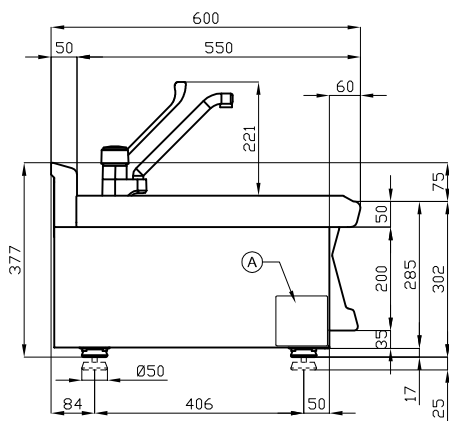
The pictures are purely representative. The manufacturer reserves the right to modify the technical data and models without previous notice.

LAT-610DX

60 MAGICLOTUS
SINK UNIT - TOP

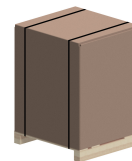


View 3D



A	Data plate		D	Cold water connection	3/8" F
E	Water drainage	Ø50mm	F	Hot water connection	3/8" F

MODEL: LAT-610DX
DIMENSIONS: cm. 100x 60x 28h



kg: 36
m³: 0.462
mm: 1030x690x650

BUY LOTUS BUY ITALY

The pictures are purely representative. The manufacturer reserves the right to modify the technical data and models without previous notice.



LOTUS S.P.A. Via Calmaor, 46
31020 San Vendemiano (TV) - Italy
Tel. + 39 0438 778020 / 778468
Fax + 39 0438 778277
www.lotuscookers.it - lotus@lotuscookers.it