

LAD-64

FREELOTUS

SINK UNIT 60

Sink unit - Lever type tap. Bowl
cm.29x35x20h



Construction - Fabricated using CrNi 18/10 AISI 304 grade Stainless Steel
Scotch-Brite Satin polish Finish, incorporating 2 mm thick worktop,
chromed details. Model - Professional Sink with Lever arm Tap for
hygiene standards. Fittings - Fixing system.

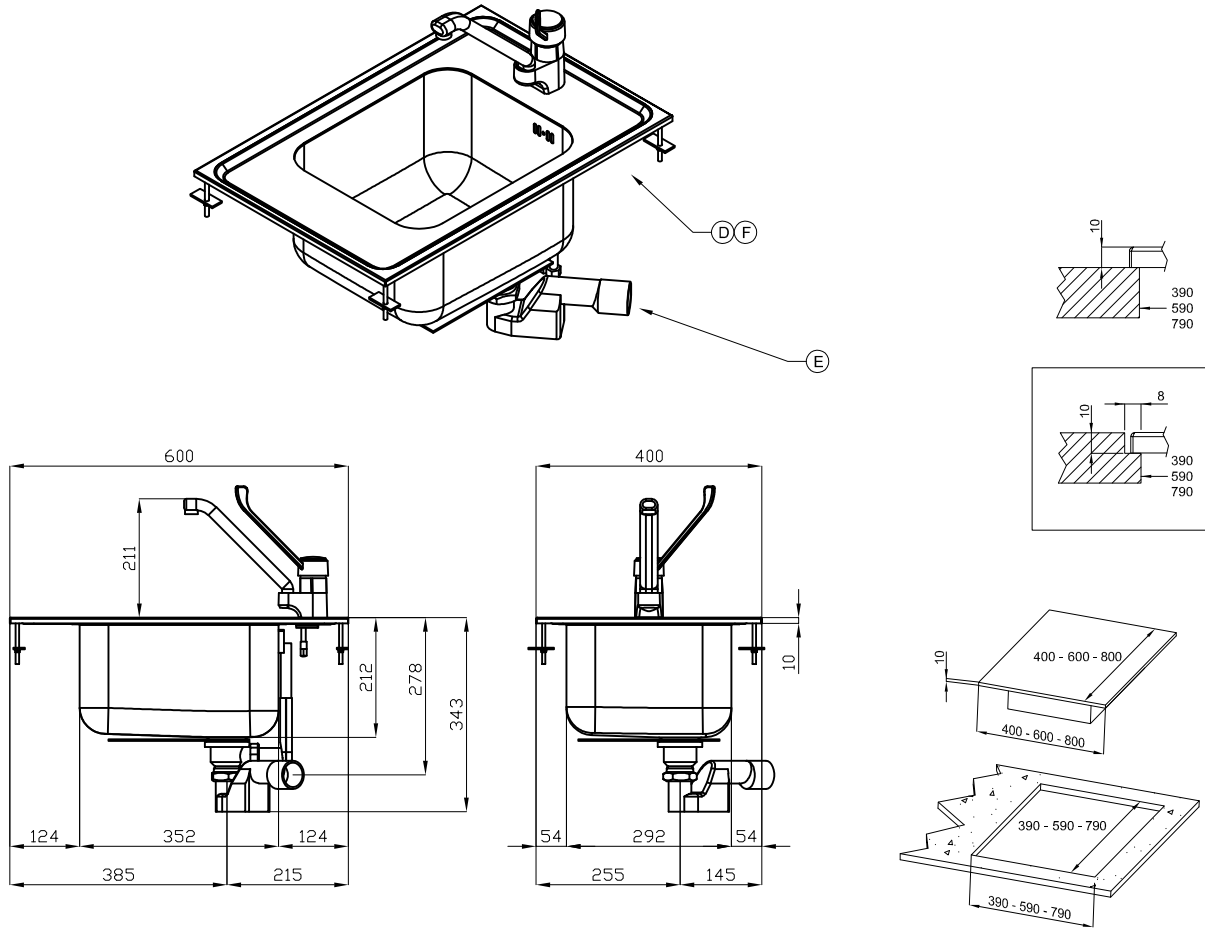


ITALIAN CULINARY ART

The pictures are purely representative. The manufacturer reserves the right to modify the technical data and models without previous notice.

LAD-64

FREELOTUS
SINK UNIT 60



A	Data plate		D	Cold water connection	ISO 7-1 3/8" F
E	Water drainage	Ø50mm	F	Hot water connection	ISO 7-1 3/8" F

MODEL: LAD-64
DIMENSIONS: cm. 40x 60x 35h



kg: 15
m³: 0.127
mm: 430x630x470

BUY LOTUS BUY ITALY

The pictures are purely representative. The manufacturer reserves the right to modify the technical data and models without previous notice.



LOTUS S.P.A. Via Calmaor, 46
31020 San Vendemiano(TV) - Italy
Tel. + 39 0438 778020 / 778468
Fax + 39 0438 778277
www.lotuscookers.it - lotus@lotuscookers.it