

LA-6

65 MAGICPROF SINK UNIT - TOP

Sink unit - Lever type tap - Bowl cm.
40x40x15h



Construction - Fabricated using CrNi 18/10 AISI 304 grade Stainless Steel Scotch-Brite Satin polish Finish, incorporating 1mm thick worktop, rounded edges, chromed details and rear splash back. Model - Professional Sinks with Lever arm Tap for hygiene standards. Sinks with 1 bowl and suitable for dishwasher. Fittings - Appliance is supplied with adjustable feet.

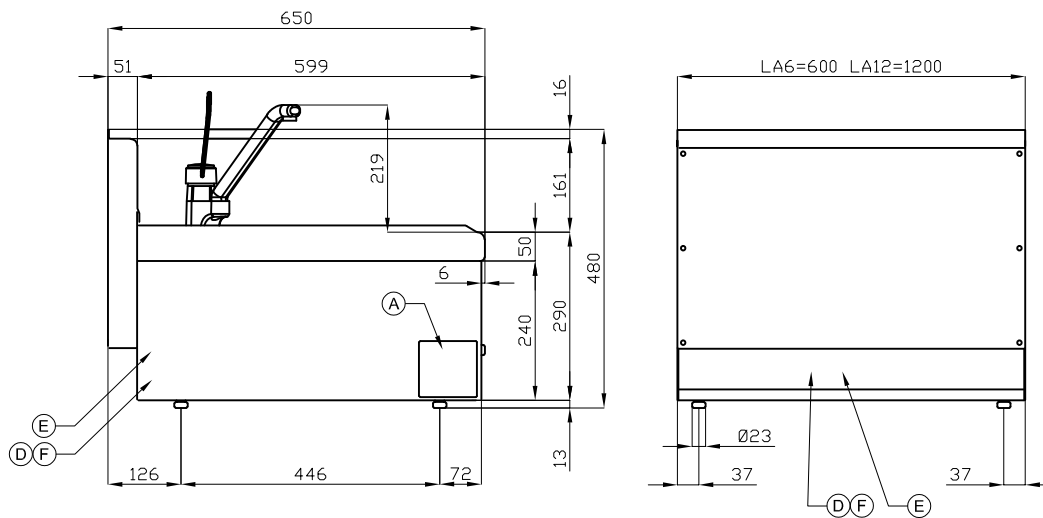


ITALIAN CULINARY ART

The pictures are purely representative. The manufacturer reserves the right to modify the technical data and models without previous notice.

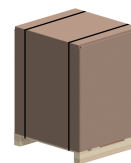
LA-6

65 MAGICPROF SINK UNIT - TOP



A	Data plate		D	Cold water connection	3/8" F
E	Water drainage	Ø50mm	F	Hot water connection	3/8" F

MODEL: LA-6
DIMENSIONS: cm. 60x 65x 29h



kg: 25
m³: 0.265
mm: 630x690x610

BUY LOTUS BUY ITALY

The pictures are purely representative. The manufacturer reserves the right to modify the technical data and models without previous notice.



LOTUS S.P.A. Via Calmaor, 46
31020 San Vendemiano(TV) - Italy
Tel. + 39 0438 778020 / 778468
Fax + 39 0438 778277
www.lotuscookers.it - lotus@lotuscookers.it